

Mobile Crane / Grue mobile

LTM 1100-4.2



120 USt



197 ft



190 ft

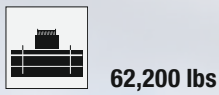
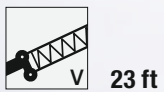


299 ft

LIEBHERR

Mobile Crane/Grue mobile

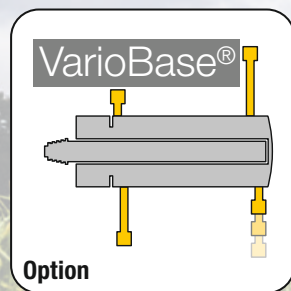
LTM 1100-4.2



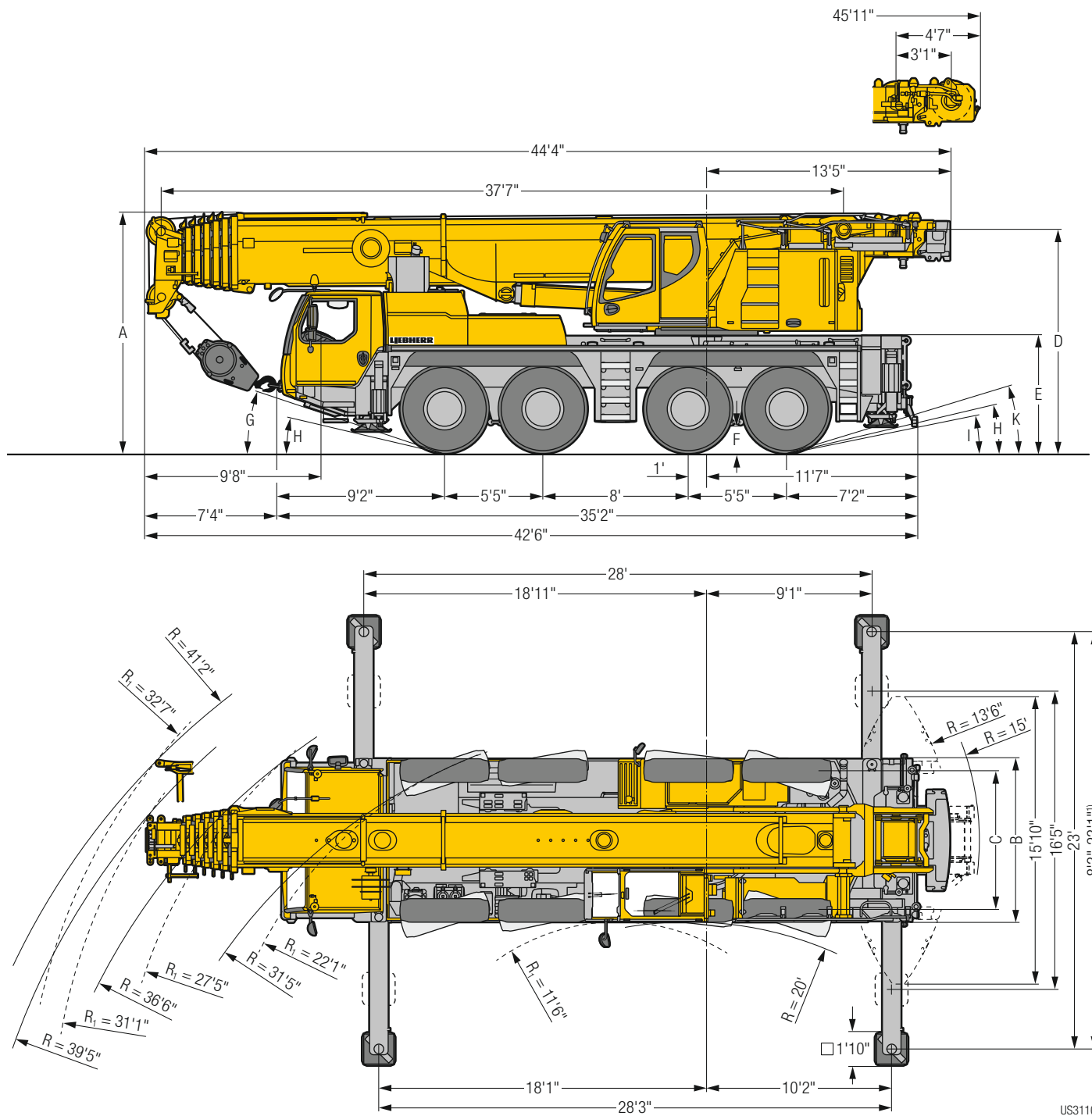
€COmode

€COdrive

only with
seulement avec ZF-TRAXON




Dimensions Encombrement



US3110

R₁ = All-wheel steering · Direction toutes roues ¹⁾ only with VarioBase® · seulement avec VarioBase®

Dimensions/Encombrement

	A	A	B	C	D	E	F	G	H	I	K
		4" *									
445/95 R 25 (16.00 R 25)	13'1"	12'10"	9'	7'7"	12'2"	6'4"	1'5"	18°	13°	11°	17°
525/80 R 25 (20.5 R 25)	13'1"	12'10"	9'6"	7'9"	12'2"	6'4"	1'5"	18°	13°	11°	17°

* lowered · abaissé

Hook block/Moufles à crochet

181,200 lbs	7	12	2,730 lbs
167,600 lbs	5	11	1,540 lbs
110,200 lbs	3	7	1,540 lbs
48,500 lbs	1	3	990 lbs
16,500 lbs	–	1	500 lbs

Working speeds Vitesses

Crane carrier/Châssis porteur

	min.	max.	%
445/95 R 25 (16.00 R 25) 525/80 R 25 (20.5 R 25)	0.3	53	61 %

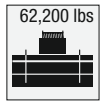
Theoretical gradeability/Aptitude théorique en pente

	12 / R2
	4 / R2

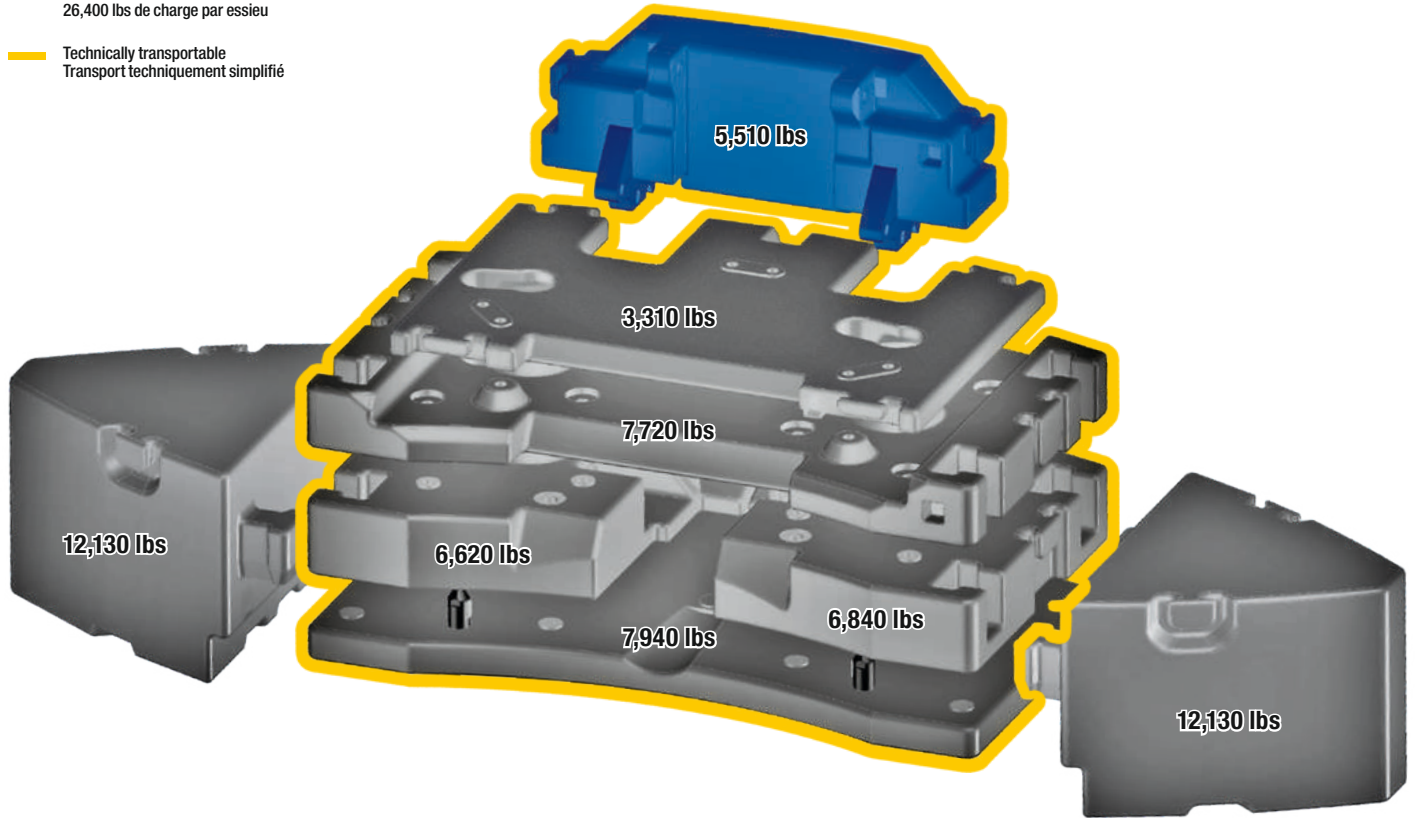
Crane superstructure/Partie tournante

				F
	0 – 377 ft/min single line ft/min au brin simple	0.74"	820 ft	17,310 lbs
	0 – 377 ft/min single line ft/min au brin simple	0.74"	820 ft	17,310 lbs
	0 – 1.7 rpm			
	approx. 60 seconds to reach 82° boom angle env. 60 s jusqu'à 82°			
	approx. 400 seconds for boom extension from 38 ft – 197 ft env. 400 s pour passer de 38 ft – 197 ft			

Counterweight Contrepoids



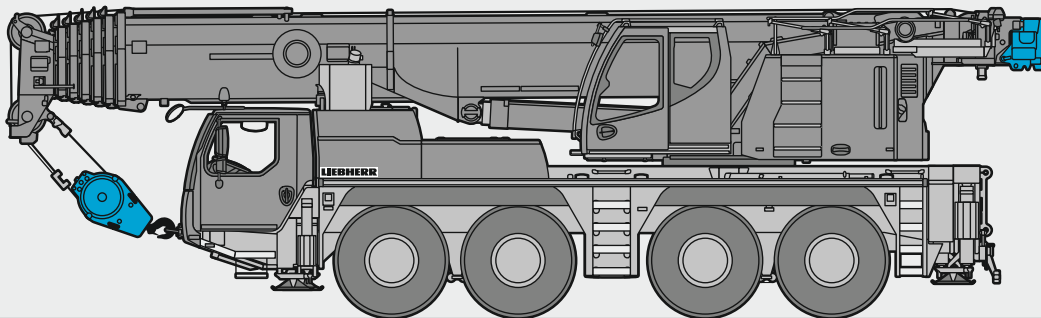
- 26,400 lbs axle load
26,400 lbs de charge par essieu
- Technically transportable
Transport techniquement simplifié



Axle/Essieu

	1	2	3	4	
lbs	26,400	26,400	26,400	26,400	105,600 ¹⁾

¹⁾ with 5,500 lbs counterweight - avec contrepoids 5,500 lbs



S3113

Boom/jib combinations Configurations de flèche

- T** Telescopic boom/Flèche télescopique
- K** Assembly jib/Flechette de montage
- NZK** Hydraulic swing away jib/Fléchette pliante hydraulique
- V** Telescopic boom extension
Rallonge de flèche télescopique



T
11 – 17

TK/TNZK
18 – 25

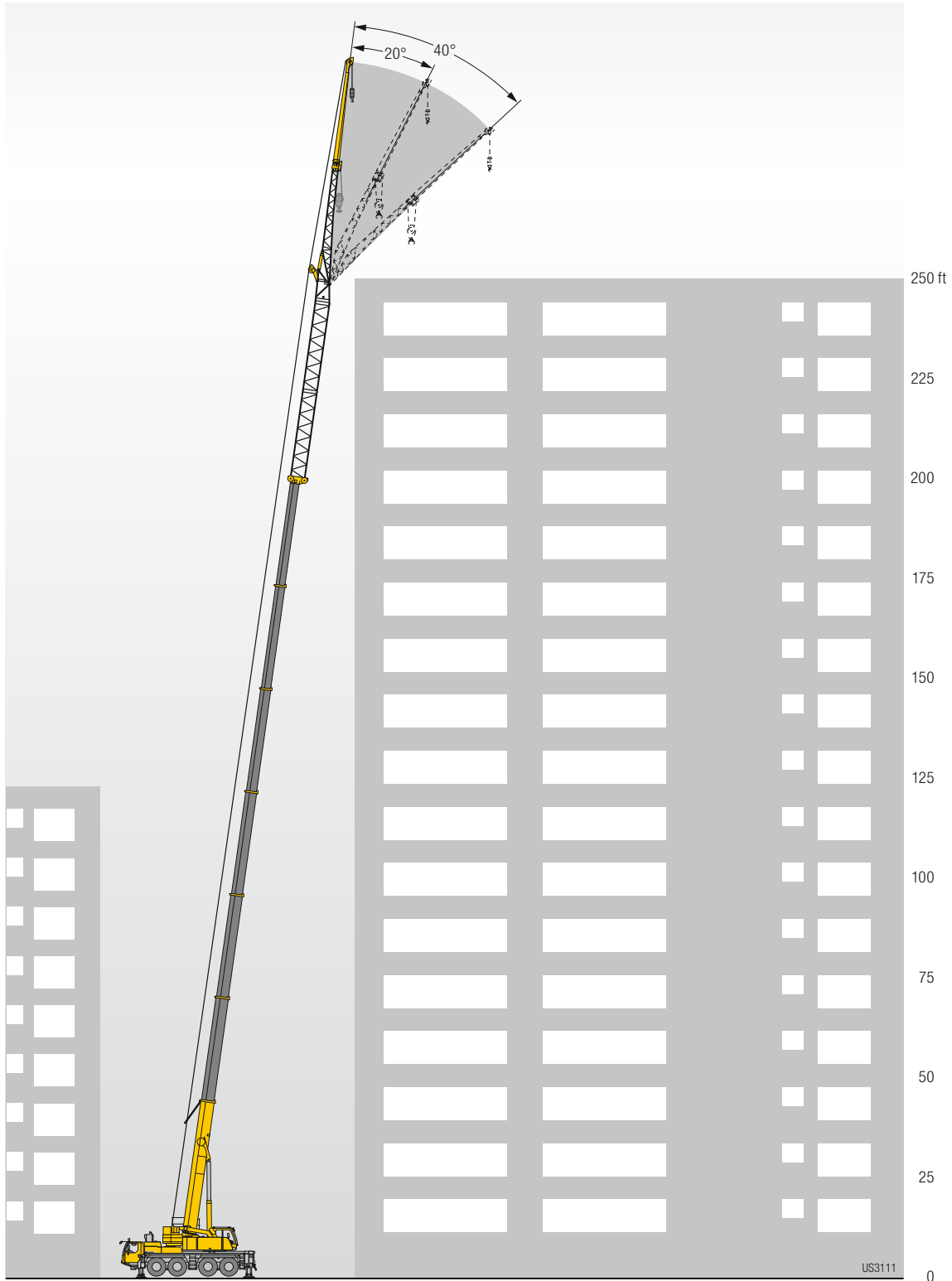
TVK/TVNZK
26 – 35

TK
36 – 38

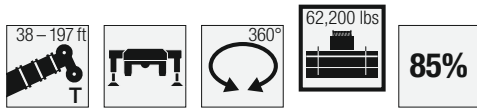
S3112



Hydraulic swing away jib Flèche pliante hydraulique



Lifting capacities Forces de levage



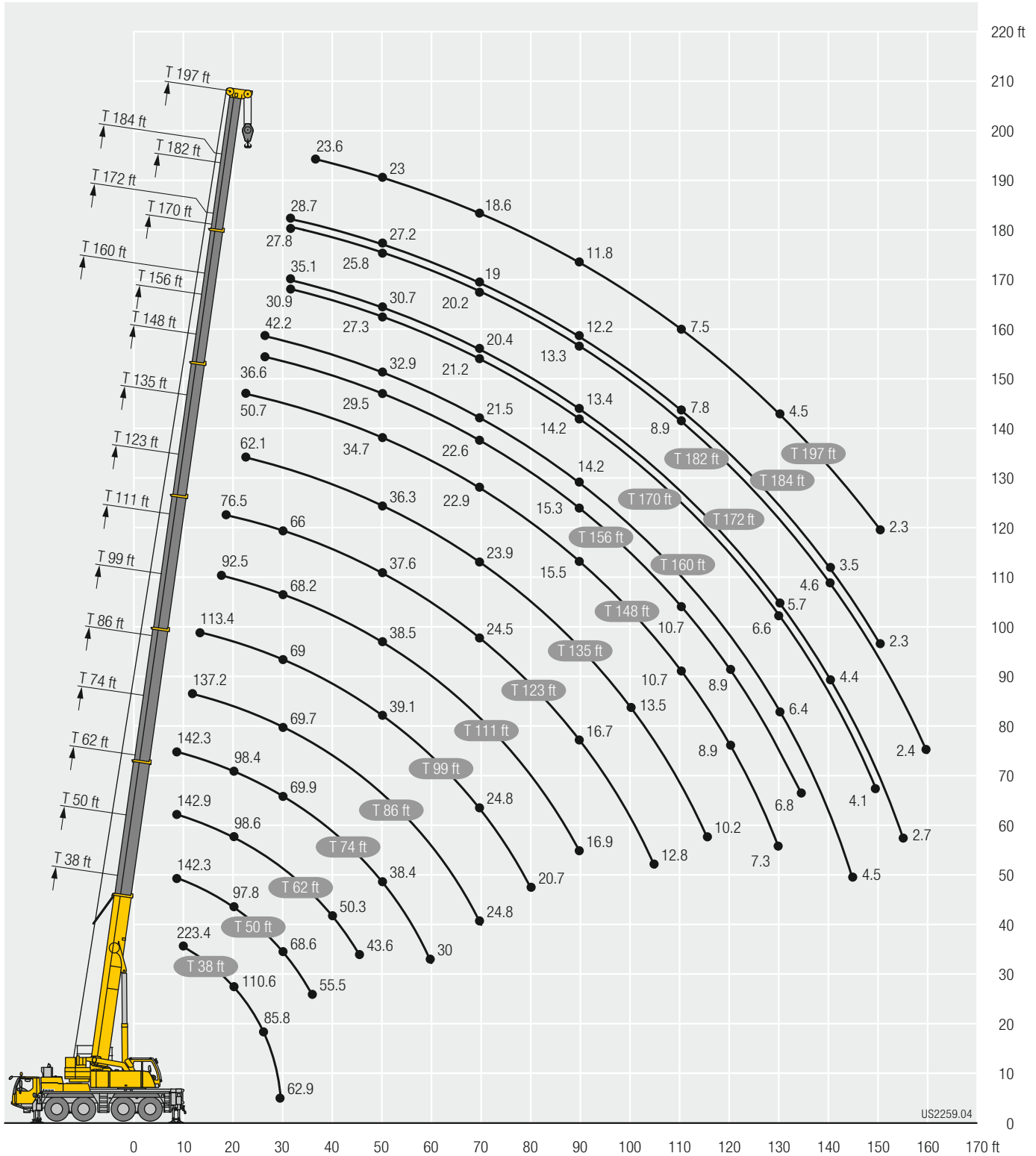
T

	38 ft	50 ft	62 ft	74 ft	86 ft	99 ft	111 ft	123 ft	135 ft	148 ft	156 ft	160 ft	170 ft	172 ft	182 ft	184 ft	197 ft		
9	*	143.8	142.3	142.9	142.3													9	
10	223.4	141.8	141.6	141.4	141.2													10	
11	172.1	139.2	139	138.8	138.7	137.2												11	
12	164.6	136	135.9	135.6	135.6	134.9												12	
13	156.4	132.1	132.3	131.9	131.9	131	113.4											13	
14	148.6	126.2	126.7	126.6	126.5	126	113											14	
15	141.5	120.1	120.8	121.1	120.9	120.9	112.3											15	
16	134.8	114.5	115.3	115.5	115.8	115.5	110.7											16	
17	128.2	109.5	110.5	110.8	111.2	110.7	107.8	92.5										17	
18	121.8	105	106.2	106.7	106.8	106.2	104.1	92.6	76.5									18	
20	110.6	96.3	97.8	98.6	98.4	97.8	96.9	92.2	76									20	
22	101	89.2	90.6	91.9	92	91.6	90.9	88	75.6	62.1	50.7							22	
24	93	82.6	84.2	85.6	85.9	85.6	84.9	83.2	74.9	61.7	50.5							24	
26	85.8	76.4	78.5	79.7	80.1	79.9	79	77.8	74	61.3	51.1							26	
28	78.7		73.5	74.6	74.9	74.7	73.9	72.9	70.2	60.7	50.9	36.6	42.2					28	
30	62.9		68.6	69.7	69.9	69.7	69	68.2	66	59.8	50.6	36	42					30	
32			63.9	65.1	65.5	65.3	64.5	64.1	61.9	58.2	50.4	35.3	41.8	30.9	35.1	27.8	28.7	32	
34			59.6	60.9	61.3	61	60.2	60.1	58.2	55.5	49.7	34.7	41.6	30.7	34.9	27.6	28.6	34	
36			55.5	56.8	57.3	56.8	56.2	56.2	54.8	52.2	48.8	34.2	41.5	30.4	34.6	27.4	28.5	23.6	36
38				53.5	53.8	53.5	53.3	53.3	51.5	49	46	33.5	40.9	30	34.5	27.2	28.3	23.6	38
40				50.3	50.5	50.3	50.6	50.5	48.4	46	43.5	32.9	40.1	29.6	34.3	27.1	28.2	23.6	40
45				43.6	44	43.6	44.6	43.8	42.7	40.5	39	31.2	36.6	28.4	33.5	26.6	27.8	23.2	45
50					38.4	38.9	39.1	38.5	37.6	36.3	34.7	29.5	32.9	27.3	30.7	25.8	27.2	23	50
55					33.7	34.8	34.4	34.1	33.3	32.5	31.1	27.8	29.7	26	27.9	24.9	26	22.6	55
60					30	30.9	30.5	30.5	29.8	29	28.1	26.2	26.8	24.7	25.5	23.8	24	21.8	60
65						27.5	27.1	27.5	26.6	26.2	25.3	24.7	23.9	23.3	22.8	22.4	21.3	20.7	65
70						24.8	24.8	24.9	24.5	23.9	22.9	22.6	21.5	21.2	20.4	20.2	19	18.6	70
75							22.7	22.5	22.4	21.7	20.7	20.5	19.4	19.2	18.4	18.1	17	16.6	75
80							20.7	20.3	20.3	19.6	18.7	18.5	17.4	17.4	16.6	16.3	15.2	14.8	80
85								18.6	18.4	18	16.9	16.9	15.8	15.8	14.9	14.7	13.6	13.3	85
90								16.9	16.7	16.3	15.5	15.3	14.2	14.2	13.4	13.3	12.2	11.8	90
95									15.3	14.8	14.2	14	12.9	12.9	12.1	12.1	10.8	10.5	95
100									14	13.5	12.9	12.9	11.8	11.8	10.9	10.9	9.6	9.4	100
105									12.8	12.1	11.7	11.7	10.8	10.6	9.9	9.7	8.6	8.4	105
110										11.1	10.7	10.7	9.8	9.7	8.9	8.9	7.8	7.5	110
115										10.2	9.8	9.8	8.9	8.9	8	8	6.9	6.7	115
120											8.9	8.9	8.1	8.1	7.2	7.2	6.1	5.9	120
125											8.1	8.1	7.2	7.2	6.6	6.4	5.3	5	125
130											7.3	7.4	6.4	6.6	5.7	5.7	4.6	4.5	130
135												6.8	5.7	5.9	5	5.1	4	3.9	135
140													5.1	5.2	4.4	4.6	3.5	3.3	140
145													4.5	4.6	3.9	3.9	2.8	2.8	145
150														4.1	3.2	3.4	2.3	2.3	150
155															2.7	2.9			155
160																2.4			160

* over rear - en arrière

Lifting heights Hauteurs de levage

T



US2259.04

Lifting capacities Forces de levage



TK/TNZK

↙	38 ft			111 ft			123 ft			135 ft			148 ft			160 ft			↘
	0°	20°	40°	0°	20°	40°	0°	20°	40°	0°	20°	40°	0°	20°	40°	0°	20°	40°	
9	32.6																		9
10	32.6																		10
11	32.6																		11
12	32.6																		12
13	32.6																		13
14	32.6																		14
15	32.6																		15
16	32.6	30.9																	16
17	32.5	30.3																	17
18	32.2	29.7		32.6															18
20	31.6	28.5		32.6															20
22	30.5	27.4		32.6			32.6												22
24	29.5	26.3		32.6			32.6												24
26	28.6	25.3	22.8	32.6			32.6			29.6			26.2						26
28	27.5	24.5	22.1	32.6	30.5		32.6			29.3			26.1			22.4			28
30	26.4	23.8	21.5	32.6	30.3		32.6			29.1			26			22.3			30
32	25.4	23	20.9	32.6	29.8		32.6	28.8		28.9			26			22.3			32
34	24.3	22.3	20.4	32.6	29.2		32.5	28.4		28.8			25.9			22.3			34
36	23.2	21.6	19.9	32.6	28.7		32.2	28		28.7			25.8			22.3			36
38	22.3	21.1	19.5	32.6	28.2	22.9	31.8	27.5		28.3	26		25.7			22.1			38
40	21.3	20.6	19.1	32.5	27.6	22.6	31.4	27		27.9	25.7		25.5			22			40
45	19	19.2	18.4	31.9	26.3	22	30.2	26	21.7	27.2	24.7	21	25	23.7		21.9	21.5		45
50	17.2	18.1	17.8	30.8	25.2	21.3	29.2	25	21.1	26.6	23.9	20.5	24.5	23	20.1	21.6	21.1		50
55				29	24.2	20.7	27.3	24.1	20.5	25.7	23.2	20.1	23.7	22.4	19.7	21.2	20.7	18.8	55
60				26.6	23.2	20.2	24.6	23.2	20	24.2	22.4	19.8	22.4	21.7	19.3	20.8	20.2	18.5	60
65				23.7	22.4	19.7	21.7	22.4	19.7	21.7	21.7	19.2	20.9	21	19	19.8	19.9	18.1	65
70				21.2	21.5	19.2	19.2	20.5	19.2	20.5	20.3	18.9	19.4	19.9	18.7	18.3	18.8	17.9	70
75				18.9	20	18.8	17	18.5	18.6	19	19	18.5	17.7	18.6	18.1	16.9	17.5	17.5	75
80				17	18.1	18.3	15.4	16.5	17.6	17.2	17.8	17.8	16.1	17.2	17.4	15.6	16.1	16.7	80
85				15.3	16.4	17.3	14.6	14.7	15.8	15.5	16.6	16.8	15.1	15.5	16.4	14.4	14.4	15.5	85
90				13.8	14.7	15.5	13.9	13.5	14.1	14.5	15.1	15.7	14	14	14.9	13.1	13.5	14	90
95				12.4	13.3	13.9	13.3	12.7	12.8	13.6	13.7	14.4	12.9	13.1	13.5	11.8	12.6	12.8	95
100				11.2	12	12.6	12.6	12.2	12	12.7	12.6	13.1	11.8	12.5	12.4	10.7	11.5	11.9	100
105				10.1	10.8	11.2	12.1	11.7	11.5	11.7	11.9	11.9	10.8	11.5	11.9	9.7	10.4	11.2	105
110				9.1	9.8	10.1	11.3	11.2	11.1	10.7	11.2	11.4	9.8	10.5	10.9	8.7	9.4	10.2	110
115				8.1	8.8	8.9	10.4	10.6	10.7	9.8	10.3	10.7	8.9	9.6	10	7.8	8.5	9.2	115
120				7.2	7.8	7.8	9.6	9.9	10	8.9	9.4	9.8	8.1	8.7	9.2	7	7.7	8.3	120
125				6.3	6.8	6.7	8.8	9.2	9.2	8.1	8.5	8.8	7.2	7.9	8.3	6.4	7	7.5	125
130				5.5	5.9		7.9	8.4	8.4	7.4	7.7	7.9	6.7	7.2	7.5	5.7	6.2	6.8	130
135							7.2	7.7	6.9	6.8	7	7.2	6.1	6.6	6.8	5	5.5	6.1	135
140										6.1	6.3	6.5	5.4	5.9	6.1	4.4	4.9	5.4	140
145										5.5	5.7	5.8	4.8	5.2	5.4	3.9	4.3	4.8	145
150										4.9	5.2	4.8	4.3	4.5	4.8	3.4	3.8	4.1	150
155													3.8	4	4.1	2.9	3.3	3.6	155
160													3.3	3.5		2.4	2.8	3	160
165													2.8	3		1.9	2.1	2.3	165
170																1.4	1.8	1.8	170

L187_01197_00_000

Lifting capacities Forces de levage



TK/TNZK

38-197 ft T	170 ft 35 ft			172 ft 35 ft			182 ft 35 ft			184 ft 35 ft			197 ft 35 ft			38-197 ft T
	0°	20°	40°	0°	20°	40°	0°	20°	40°	0°	20°	40°	0°	20°	40°	
32	15.7			18.8												32
34	15.7			18.7												34
36	15.7			18.7			14.1			14.8						36
38	15.7			18.7			14.1			14.8			12.4			38
40	15.7			18.7			14.1			14.8			12.4			40
45	15.7			18.7			14.1			14.8			12.4			45
50	15.5	15.6		18.6	18.6		14.1	14.1		14.6	15		12.4			50
55	15.3	15.3		18.4	18.4	17.6	14	14		14.6	14.9		12.4	12.4		55
60	15	14.9	14.7	18.2	18.3	17.4	13.9	13.9		14.5	14.7		12.3	12.4		60
65	14.8	14.4	14.2	17.9	18.1	17.2	13.7	13.7	13.7	14.4	14.6	14.4	12.2	12.4	12.1	65
70	14.5	13.9	13.8	16.8	17.6	16.9	13.5	13.4	13.4	14.3	14.3	13.9	12	12.4	12	70
75	14.1	13.5	13.4	15.8	16.5	16.6	13.4	13	12.9	14.1	13.9	13.5	11.9	12.2	11.9	75
80	13.5	13.1	12.9	14.8	14.9	15.9	13.1	12.7	12.5	13.4	13.5	13.1	11.8	11.9	11.9	80
85	13	12.6	12.6	13.3	13.5	14.4	12.6	12.4	12.2	12.4	13	12.8	11.3	11.7	11.7	85
90	12.5	12.3	12.1	12	12.8	13.1	11.8	12	11.8	11.1	12.1	12.5	10.5	11.2	11.4	90
95	11.7	11.9	11.7	10.7	11.9	12.3	10.7	11.5	11.5	9.8	11	11.7	9.4	10.4	10.9	95
100	10.7	11.4	11.4	9.6	10.9	11.5	9.6	10.7	11	8.7	9.8	10.7	8.3	9.4	10.2	100
105	9.5	10.4	11	8.6	9.7	10.4	8.6	9.5	10.4	7.7	8.6	9.5	7.3	8.4	9	105
110	8.6	9.4	10	7.8	8.7	9.4	7.8	8.6	9.4	6.7	7.6	8.5	6.4	7.4	8	110
115	7.8	8.5	9.1	6.9	7.8	8.5	6.9	7.7	8.3	5.8	6.7	7.5	5.6	6.5	7.1	115
120	7	7.6	8.3	6.1	7	7.6	6.1	6.8	7.4	5	5.9	6.5	4.8	5.6	6.3	120
125	6.1	6.8	7.4	5.3	6.1	6.8	5.3	6.1	6.6	4.4	5.2	5.7	4.1	4.8	5.5	125
130	5.5	6.1	6.6	4.6	5.5	5.9	4.8	5.5	5.9	3.7	4.4	5	3.5	4.1	4.8	130
135	4.9	5.5	5.9	4	4.8	5.2	4.1	4.8	5.2	3.2	3.8	4.3	2.8	3.5	4.1	135
140	4.4	4.9	5.2	3.5	4.2	4.6	3.5	4.1	4.6	2.6	3.2	3.7	2.2	2.9	3.5	140
145	3.9	4.3	4.6	3	3.7	3.9	3	3.5	3.9	2.1	2.6	3		2.4	2.8	145
150	3.4	3.8	4.1	2.5	3.2	3.4	2.5	3	3.4	1.6	2.1	2.3		1.9	2.3	150
155	2.9	3.3	3.6	2	2.7	2.9	2	2.5	2.8		1.6	1.8			1.8	155
160	2.4	2.8	3		2.2	2.4		2	2.3							160
165	1.9	2.3	2.3													165
170	1.6	1.8	1.8													170

t_187_01197_00_000

Lifting capacities Forces de levage



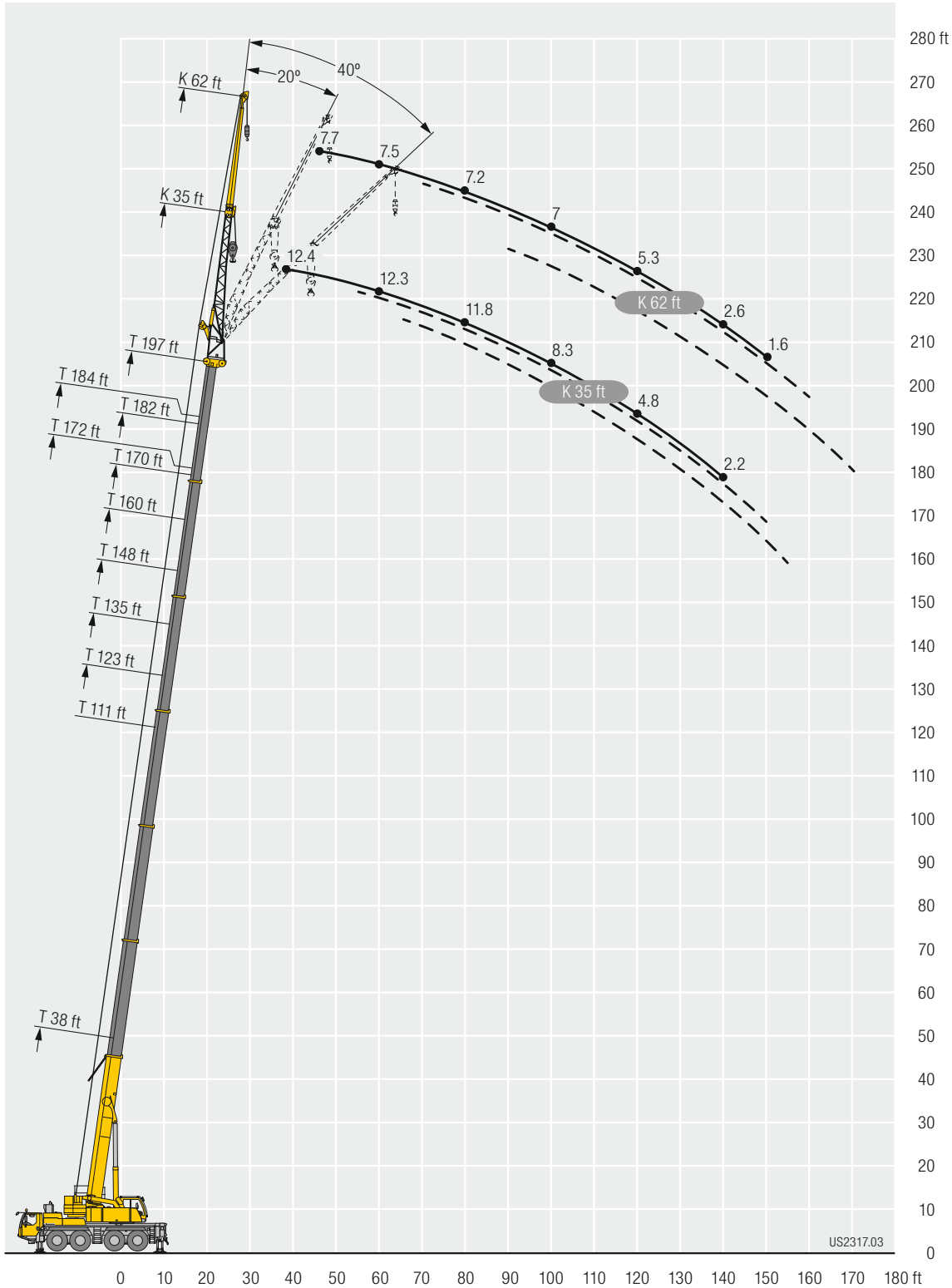
TK/TNZK

↙ ↘	170 ft 62 ft			172 ft 62 ft			182 ft 62 ft			184 ft 62 ft			197 ft 62 ft			↙ ↘
	0°	20°	40°	0°	20°	40°	0°	20°	40°	0°	20°	40°	0°	20°	40°	
36				10.1												36
38	9.3			10												38
40	9.2			9.9												40
45	9.1			9.9			8.4			8.8			7.7			45
50	8.9			9.8			8.4			8.7			7.6			50
55	8.8			9.6			8.3			8.6			7.5			55
60	8.8			9.5			8.2			8.6			7.5			60
65	8.6	8.2		9.3	8.6		8.2	7.9		8.4	8		7.5			65
70	8.6	8.2		9.3	8.5		8	7.8		8.4	7.9		7.4	7.3		70
75	8.5	8.1		9.2	8.4	7.7	7.9	7.7		8.3	7.8		7.3	7.3		75
80	8.3	7.9		9	8.3	7.7	7.9	7.7		8.2	7.7		7.2	7.2		80
85	8.2	7.9	7.5	8.8	8.2	7.5	7.9	7.5	7.3	8.2	7.7	7.3	7.1	7.1		85
90	8.2	7.8	7.5	8.7	8	7.5	7.8	7.5	7.3	8	7.7	7.3	7.1	7.1	7.1	90
95	8.1	7.7	7.4	8.5	7.9	7.5	7.7	7.5	7.3	7.9	7.6	7.3	7.1	7.1	7.1	95
100	7.9	7.7	7.3	8.3	7.9	7.4	7.7	7.4	7.3	7.8	7.5	7.3	7	7.1	7.1	100
105	7.9	7.5	7.3	8.2	7.7	7.3	7.5	7.3	7.3	7.5	7.5	7.3	6.8	7.1	7.1	105
110	7.8	7.5	7.3	7.8	7.7	7.3	7.3	7.3	7.3	7	7.3	7.3	6.5	6.9	7.1	110
115	7.6	7.5	7.3	7.3	7.6	7.3	6.9	7.3	7.3	6.3	7.3	7.3	5.9	6.7	7.1	115
120	7.2	7.4	7.3	6.6	7.4	7.3	6.4	7.2	7.2	5.5	7	7.2	5.3	6.4	7	120
125	6.6	7.3	7.3	5.9	7.2	7.3	5.7	7	7	4.8	6.4	7	4.6	5.9	6.8	125
130	5.9	6.9	7.1	5.2	6.6	7.3	5	6.3	6.9	4.1	5.7	6.5	3.9	5.2	6.3	130
135	5.4	6.3	6.9	4.7	5.9	6.8	4.5	5.7	6.5	3.6	5	5.9	3.2	4.6	5.7	135
140	4.8	5.7	6.5	4.2	5.2	6.1	4	5	5.9	3.1	4.3	5.2	2.6	4	5	140
145	4.1	5.2	5.9	3.7	4.6	5.4	3.5	4.3	5.2	2.6	3.7	4.5	2.1	3.4	4.3	145
150	3.6	4.5	5.4	3.2	4.1	4.8	3	3.8	4.7	2.1	3.2	3.9	1.6	2.8	3.7	150
155	3.3	4	4.7	2.7	3.6	4.2	2.5	3.3	4.1	1.6	2.7	3.3		2.2	3.1	155
160	2.8	3.6	4.2	2.2	3.1	3.6	2	2.8	3.5		2.2	2.8		1.8	2.6	160
165	2.4	3.2	3.7	1.7	2.6	3		2.4	3			2.3			2.1	165
170	2	2.7	3.2	1.4	2	2.7		2	2.5			1.8			1.6	170
175	1.7	2.4	2.6		1.7	2.2		1.5	2							175
180		1.9	2.2			1.7										180
185			1.9													185
190			1.4													190

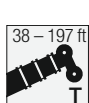
t_187_01209_00_000

Lifting heights Hauteurs de levage

TK/TNZK



Lifting capacities Forces de levage



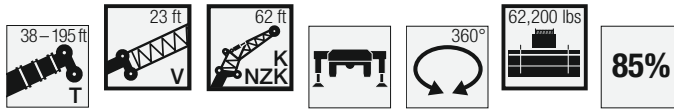
85%

TVK/TVNZK

↙ ↘	38 ft + 23 ft			160 ft + 23 ft			170 ft + 23 ft			172 ft + 23 ft			182 ft + 23 ft			184 ft + 23 ft			195 ft + 23 ft			197 ft + 23 ft			↙ ↘
	35 ft			35 ft			35 ft			35 ft			35 ft			35 ft			35 ft			35 ft			
	0°	20°	40°	0°	20°	40°	0°	20°	40°	0°	20°	40°	0°	20°	40°	0°	20°	40°	0°	20°	40°	0°	20°	40°	
9	12.4																							9	
10	12.4																							10	
11	12.4																							11	
12	12.4																							12	
13	12.4																							13	
14	12.4																							14	
15	12.3																							15	
16	12.2																							16	
17	12.1																							17	
18	12.1																							18	
20	12.1																							20	
22	11.8	12.4																						22	
24	11.6	12.3																						24	
26	11.5	12.1																						26	
28	11.4	11.9																						28	
30	11.2	11.6																						30	
32	10.7	11.2	11.7																					32	
34	10.4	10.9	11.4																					34	
36	10.2	10.6	11	12.4																				36	
38	9.8	10.2	10.6	12.4			10.6			11.2														38	
40	9.4	9.8	10.3	12.3			10.6			11.2														40	
45	8.7	9	9.4	12.2			10.6			11.1	9.5			9.9			8.6			8.4				45	
50	8.1	8.3	8.7	12.1	12.4		10.6			11	11.2	9.5		9.9			8.5			8.2				50	
55	7.4	7.6	8	12	12.2		10.5	10.7		10.9	11.2	9.5	9.7			9.8	10.1		8.4	8.6		8.2	8.4	55	
60	6.7	7	7.4	11.9	11.8		10.3	10.6		10.8	11	9.5	9.7			9.7	10.1		8.4	8.6		8.2	8.4	60	
65	6.2	6.5	6.7	11.7	11.5	11.3	10.2	10.4	10.2	10.8	11	10.8	9.3	9.5		9.7	9.9		8.4	8.6		8.2	8.4	65	
70	5.7	6.1	6.3	11.4	11.2	11	10	10.1	9.9	10.7	10.7	10.5	9.3	9.5	9.4	9.7	9.9	10	8.4	8.6	8.4	8.2	8.4	8.2	70
75	5.2	5.6		11.2	10.8	10.5	9.8	9.7	9.6	10.5	10.4	10.2	9.2	9.4	9.2	9.6	9.8	9.7	8.3	8.6	8.4	8.2	8.4	8.2	75
80	4.7	4.9		10.9	10.5	10.1	9.7	9.4	9.4	10.3	10.1	9.8	9	9.2	9	9.5	9.6	9.4	8.2	8.6	8.4	8.1	8.3	8.2	80
85				10.4	10	9.7	9.5	9.3	9.1	10.2	9.7	9.5	8.8	8.8	8.8	9.5	9.3	9.3	8.2	8.4	8.4	8	8.2	8.2	85
90				10.1	9.6	9.4	9.2	8.9	8.7	9.8	9.4	9.3	8.7	8.7	8.5	9.3	9.1	8.9	8.2	8.2	8.2	7.9	8	8	90
95				9.7	9.3	9.2	8.8	8.6	8.5	9.5	9.2	9.1	8.5	8.4	8.3	8.8	8.9	8.7	8	8	8.1	7.8	7.8	7.8	95
100				9.3	8.9	8.9	8.5	8.3	8.3	9.1	8.9	8.7	8.3	8.1	8.1	8.1	8.7	8.5	7.6	7.7	7.9	7.5	7.7	7.7	100
105				8.8	8.6	8.6	8.2	8.2	7.9	8.4	8.6	8.4	7.9	7.9	7.9	7.3	8.2	8.4	7.1	7.5	7.7	6.8	7.5	7.5	105
110				8.3	8.3	8.3	7.8	7.8	7.8	7.5	8.3	8.2	7.3	7.6	7.6	6.4	7.3	7.9	6.2	7	7.4	6	6.8	7.3	110
115				7.6	7.9	7.9	7.3	7.5	7.5	6.7	7.6	7.8	6.5	7.2	7.3	5.6	6.5	7.1	5.4	6.3	6.8	5.2	6	6.8	115
120				6.8	7.5	7.6	6.5	7.1	7.2	5.9	6.7	7.2	5.7	6.5	6.9	4.8	5.6	6.3	4.6	5.5	6.1	4.4	5.3	6.1	120
125				6.1	6.8	7.2	5.7	6.6	6.8	5.3	5.9	6.4	5	5.7	6.3	4.1	4.8	5.5	3.9	4.8	5.3	3.7	4.6	5.2	125
130				5.5	6.1	6.6	5.2	5.7	6.3	4.6	5.2	5.7	4.4	5	5.5	3.5	4.1	4.8	3.3	4.1	4.6	3	3.9	4.4	130
135				4.8	5.5	5.9	4.6	5.1	5.7	3.9	4.6	5	3.7	4.3	4.8	2.8	3.5	4.1	2.7	3.5	3.9	2.5	3.2	3.7	135
140				4.2	4.8	5.2	4	4.6	5	3.3	3.9	4.3	3.1	3.8	4.2	2.2	2.9	3.5	2.1	2.8	3.3	1.9	2.6	3.1	140
145				3.7	4.1	4.5	3.5	3.9	4.3	2.8	3.2	3.7	2.6	3.2	3.7		2.4	2.8		2.1	2.8		2.1	2.6	145
150				3.2	3.6	3.9	3	3.4	3.8	2.3	2.7	3.2	2.1	2.7	3		1.9	2.3		1.6	2.1		1.6	2.1	150
155				2.7	3.1	3.3	2.5	2.9	3.2	1.8	2.4	2.7	1.6	2.2	2.5			1.8			1.6				155
160				2.3	2.6	2.8	2	2.4	2.7		2	2.2			2										160
165				1.9	2.1	2.4		1.9	2.3																165
170				1.4	1.8	2		1.6	1.8																170

L187_01293_00_000

Lifting capacities Forces de levage



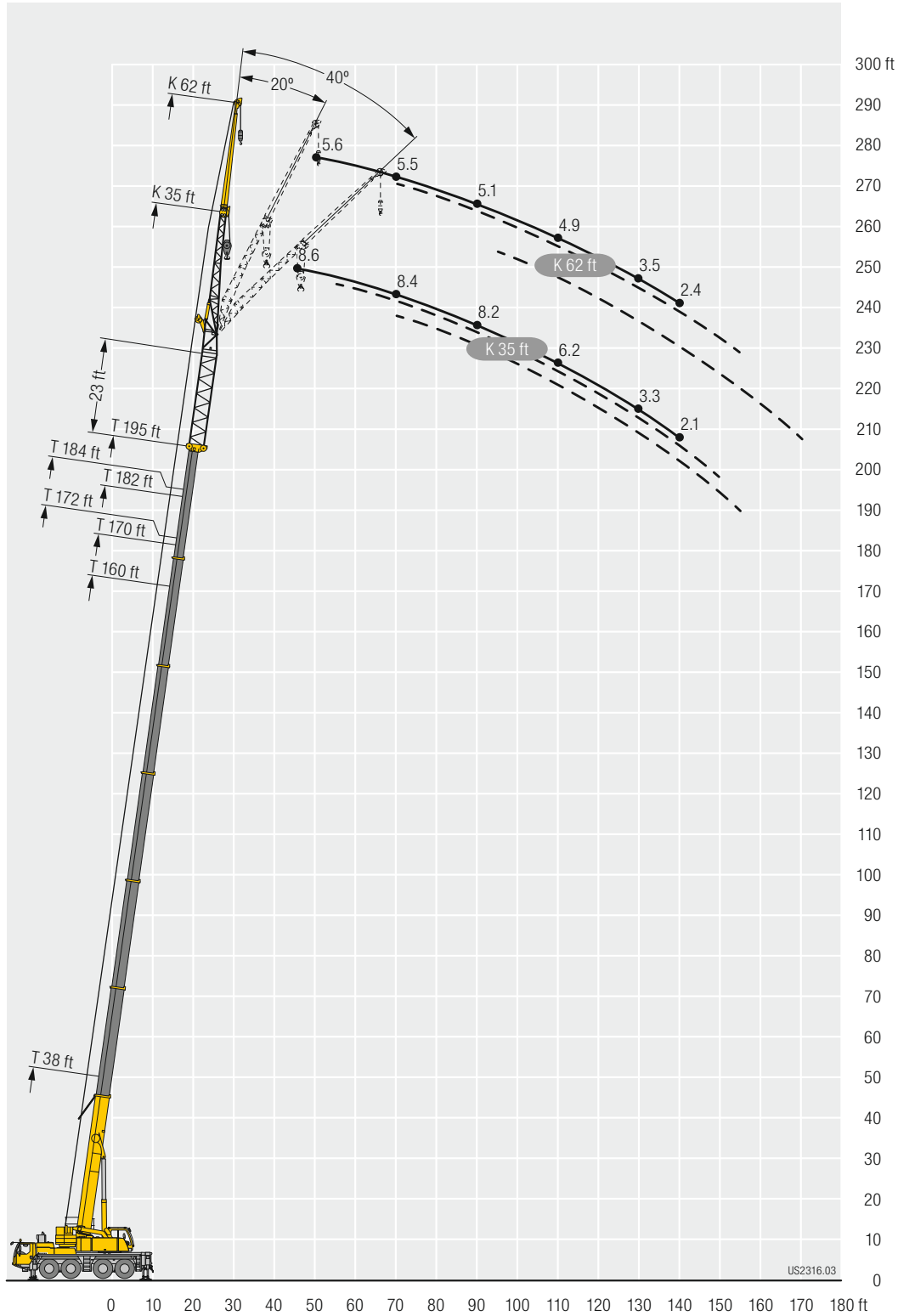
85% TVK/TVNZK

↙ ↘	38 ft + 23 ft			160 ft + 23 ft			170 ft + 23 ft			172 ft + 23 ft			182 ft + 23 ft			184 ft + 23 ft			195 ft + 23 ft			↙ ↘
	62 ft			62 ft			62 ft			62 ft			62 ft			62 ft			62 ft			
	0°	20°	40°	0°	20°	40°	0°	20°	40°	0°	20°	40°	0°	20°	40°	0°	20°	40°	0°	20°	40°	
13	7.9																					13
14	7.9																					14
15	7.9																					15
16	7.9																					16
17	7.9																					17
18	7.9																					18
20	7.9																					20
22	7.8																					22
24	7.7																					24
26	7.7																					26
28	7.7																					28
30	7.7																					30
32	7.7																					32
34	7.6																					34
36	7.5	7.3																				36
38	7.5	7.3																				38
40	7.5	7.3																				40
45	7.1	7.3		7.9			6.8			7.3												45
50	6.8	7		7.8			6.8			7.1			6.2			6.4				5.6		50
55	6.4	6.7		7.7			6.8			7.1			6.2			6.4				5.5		55
60	5.9	6.3	6.6	7.7			6.6			7.1			6.2			6.4				5.5		60
65	5.6	6	6.2	7.7			6.6			7.1			6.2			6.4				5.5		65
70	5.2	5.7	5.9	7.7	7.3		6.6	6.2		7.1	6.6		6			6.4	6		5.5			70
75	5	5.3	5.5	7.6	7.3		6.6	6.2		7	6.6		6	5.7		6.3	6		5.4	5.3		75
80	4.8	5	5.3	7.5	7.3		6.6	6.2		6.8	6.6		6	5.7		6.2	6		5.3	5.3		80
85	4.4	4.7	5.1	7.5	7.3	6.8	6.6	6.2		6.8	6.6		6	5.7		6.2	6		5.3	5.3		85
90	4.3	4.5	4.8	7.3	7.1	6.7	6.5	6.2	6	6.8	6.6	6.4	6	5.7	5.5	6.2	6	5.7	5.1	5.3		90
95	4	4.2	4.4	7.2	6.8	6.5	6.4	6.1	6	6.7	6.5	6.4	6	5.7	5.5	6.2	6	5.7	5.1	5.3	5.1	95
100	3.7	3.9		7	6.6	6.3	6.3	6	6	6.6	6.3	6.3	5.9	5.7	5.5	6.2	6	5.7	5	5.2	5.1	100
105	3.5	3.8		6.8	6.4	6.2	6.2	6	6	6.4	6.2	6.2	5.7	5.5	5.5	6.2	6	5.7	4.9	5.1	5.1	105
110				6.5	6.2	6	6	5.8	5.8	6.4	6.2	6	5.7	5.5	5.5	6	5.8	5.7	4.9	5.1	5.1	110
115				6.3	6.1	6	5.8	5.6	5.6	6.2	6.1	5.8	5.6	5.5	5.4	5.6	5.7	5.6	4.7	5.1	5.1	115
120				6.1	5.9	5.9	5.7	5.5	5.5	5.8	5.9	5.7	5.4	5.5	5.3	5	5.7	5.5	4.5	5	5.1	120
125				5.9	5.7	5.7	5.5	5.3	5.3	5.5	5.7	5.5	5	5.3	5.3	4.4	5.5	5.5	4.1	4.8	5.1	125
130				5.6	5.6	5.6	5.3	5.3	5.3	4.8	5.6	5.5	4.5	5.1	5.1	3.7	5.2	5.3	3.5	4.7	4.9	130
135				5.1	5.4	5.4	4.8	5.2	5.2	4.3	5.3	5.4	4	4.9	5.1	3.2	4.6	5.2	2.9	4.3	4.9	135
140				4.6	5.2	5.2	4.2	5	5	3.7	4.9	5.2	3.5	4.6	5	2.6	3.9	4.9	2.4	3.8	4.6	140
145				3.9	5	5.1	3.7	4.8	4.8	3	4.3	5	2.8	4.1	4.8	2.1	3.2	4.3		3.2	4.1	145
150				3.4	4.5	4.9	3.2	4.3	4.7	2.5	3.7	4.5	2.3	3.4	4.3	1.6	2.7	3.7		2.6	3.6	150
155				3	4	4.6	2.7	3.8	4.4	2.2	3.1	4	1.9	2.9	3.8		2.2	3.1	2	3		155
160				2.6	3.5	4.2	2.3	3.3	3.9	1.7	2.6	3.4		2.5	3.3		1.7	2.6			2.4	160
165				2.1	3	3.7	1.9	2.8	3.4		2.1	2.8		2.1	2.8			2.1			1.9	165
170				1.8	2.5	3.2		2.3	2.9		1.8	2.5		1.6	2.3			1.6			1.4	170
175					2.1	2.6		1.9	2.4			2			1.8							175
180					1.8	2.1			2													180

t_187_01305_00_000

Lifting heights Hauteurs de levage

TVK/TVNZK



Lifting capacities Forces de levage

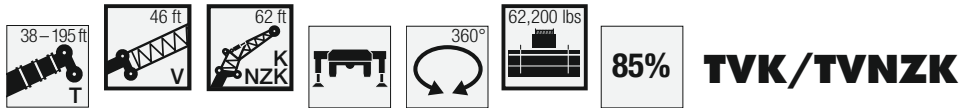


85% **TVK/TVNZK**

Crane Model	38 ft + 46 ft			160 ft + 46 ft			170 ft + 46 ft			172 ft + 46 ft			182 ft + 46 ft			184 ft + 46 ft			195 ft + 46 ft			Crane Model
	35 ft			35 ft			35 ft			35 ft			35 ft			35 ft			35 ft			
	0°	20°	40°	0°	20°	40°	0°	20°	40°	0°	20°	40°	0°	20°	40°	0°	20°	40°	0°	20°	40°	
11	8.4																					11
12	8.4																					12
13	8.4																					13
14	8.4																					14
15	8.4																					15
16	8.2																					16
17	8.2																					17
18	8.2																					18
20	8.2																					20
22	8.2																					22
24	8.1																					24
26	8	8.4																				26
28	7.9	8.3																				28
30	7.9	8.2																				30
32	7.8	8.2																				32
34	7.6	8.1																				34
36	7.5	7.9	8.2																			36
38	7.4	7.8	8																			38
40	7.2	7.6	7.9																			40
45	6.9	7	7.4	8.2			6.9			7.3			6.2			6.4						45
50	6.4	6.6	6.9	8.2			6.8			7.3			6.2			6.4			5.5			50
55	5.9	6.1	6.4	8.1	8.2		6.8	7.1		7.3	7.3		6.2			6.4			5.5			55
60	5.5	5.7	5.9	7.9	8.1		6.8	7		7.2	7.3		6.2			6.4			5.5			60
65	5.1	5.3	5.6	7.9	8	8.2	6.8	6.9		7.1	7.3		6.2	6.2		6.4	6.4		5.3	5.5		65
70	4.8	5	5.2	7.8	7.9	7.9	6.7	6.8	6.9	7.1	7.3	7.4	6	6.2	6.4	6.3	6.4	6.6	5.3	5.5		70
75	4.4	4.7	4.9	7.6	7.8	7.6	6.6	6.7	6.7	7.1	7.2	7.2	6	6.2	6.3	6.2	6.4	6.6	5.2	5.4	5.6	75
80	4.2	4.4	4.5	7.5	7.5	7.4	6.6	6.6	6.6	7	7	7	6	6.1	6.2	6.2	6.4	6.6	5.1	5.3	5.5	80
85	4	4.2	4.2	7.5	7.3	7.1	6.4	6.4	6.4	6.8	6.8	6.8	6	6	6.2	6.2	6.2	6.4	5.1	5.3	5.5	85
90	3.7	3.9	4	7.2	7	6.9	6.2	6.2	6.2	6.8	6.7	6.7	6	6	6	6.2	6.2	6.4	4.9	5.1	5.4	90
95	3.4	3.5	3.8	7	6.7	6.6	6.2	6.1	6.1	6.7	6.5	6.5	5.9	5.9	5.9	6.1	6.1	6.3	4.9	5.1	5.3	95
100				6.7	6.6	6.3	6.1	5.9	5.9	6.6	6.3	6.3	5.7	5.7	5.7	6	6	6.1	4.8	5	5.2	100
105				6.4	6.4	6.2	6	5.7	5.7	6.4	6.2	6.2	5.7	5.5	5.5	6	6	6	4.6	4.9	5.1	105
110				6.2	6.1	6	5.8	5.6	5.6	6.2	6	6	5.6	5.3	5.3	5.6	5.8	5.8	4.6	4.9	5.1	110
115				6.1	5.8	5.8	5.6	5.4	5.4	5.8	5.8	5.8	5.4	5.3	5.3	5.1	5.6	5.6	4.4	4.7	5	115
120				5.8	5.7	5.7	5.4	5.2	5.2	5.3	5.6	5.7	5	5.2	5.2	4.4	5.2	5.4	4	4.6	4.8	120
125				5.5	5.5	5.5	5	5.1	5.1	4.6	5.3	5.5	4.4	5	5.1	3.7	4.4	5	3.5	4.4	4.6	125
130				5	5.3	5.3	4.5	4.9	4.9	4.1	4.8	5.2	3.7	4.5	4.9	3	3.7	4.4	2.8	3.5	4.1	130
135				4.3	4.9	5	4	4.6	4.7	3.5	4.1	4.6	3.2	3.9	4.5	2.4	3.2	3.7	2.1	2.9	3.5	135
140				3.8	4.3	4.6	3.5	4.1	4.4	2.9	3.5	4	2.6	3.3	3.9	1.8	2.6	3.1		2.4	2.9	140
145				3.2	3.7	4.1	2.8	3.5	3.9	2.4	3	3.5	2.1	2.8	3.2			2.6			2.4	145
150				2.7	3.2	3.6	2.5	3	3.4	1.9	2.5	3	1.6	2.3	2.7			1.9			1.9	150
155				2.2	2.7	3.1	2	2.5	2.9				2	2.3								155
160				1.8	2.3	2.6		2	2.4													160
165					1.9	2.1			1.9													165
170					1.4	1.6			1.4													170

t_187_01389_00_000

Lifting capacities Forces de levage

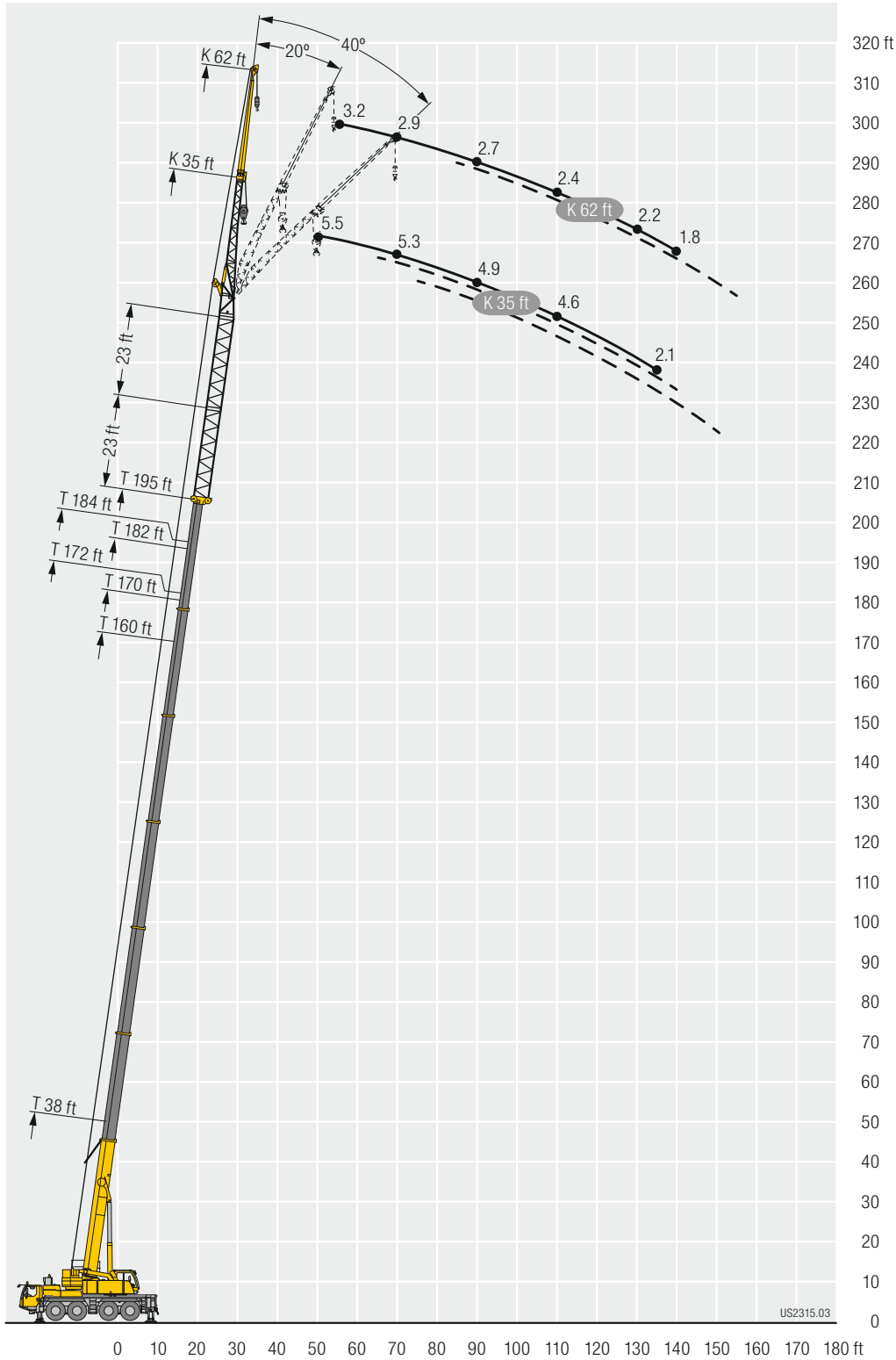


Lifting height (ft)	38 ft + 46 ft			160 ft + 46 ft			170 ft + 46 ft		172 ft + 46 ft			182 ft + 46 ft		184 ft + 46 ft			195 ft + 46 ft		Lifting height (ft)
	62 ft			62 ft			62 ft		62 ft			62 ft		62 ft			62 ft		
	0°	20°	40°	0°	20°	40°	0°	20°	0°	20°	40°	0°	20°	0°	20°	40°	0°	20°	
16	5.5																		16
17	5.5																		17
18	5.5																		18
20	5.5																		20
22	5.4																		22
24	5.3																		24
26	5.3																		26
28	5.3																		28
30	5.3																		30
32	5.3																		32
34	5.3																		34
36	5.3																		36
38	5.2																		38
40	5.1	5.5																	40
45	5.1	5.3		5.5															45
50	4.9	5.3		5.4			4.6		4.9					4.4					50
55	4.8	5.2		5.3			4.6		4.9			4.1		4.3			3.2		55
60	4.6	5		5.3			4.6		4.9			4		4.2			3.1		60
65	4.4	4.7	4.9	5.3			4.6		4.9			4		4.2			2.9		65
70	4.1	4.5	4.7	5.3	5.4		4.5		4.7			4		4.2			2.9		70
75	3.9	4.2	4.4	5.2	5.3		4.4	4.6	4.6	4.9		3.9	4	4.1	4.3		2.8		75
80	3.7	3.9	4.2	5.1	5.3		4.4	4.6	4.6	4.9		3.8	4	4	4.2		2.7		80
85	3.5	3.8	4	5.1	5.3		4.4	4.6	4.6	4.9		3.8	4	4	4.2		2.7	2.9	85
90	3.2	3.6	3.8	5.1	5.1	5.1	4.4	4.6	4.6	4.9		3.6	4	4	4.2		2.7	2.9	90
95	3	3.3	3.5	5.1	5.1	5	4.4	4.6	4.6	4.7	4.6	3.5	3.9	3.9	4.1	4.2	2.5	2.8	95
100	2.8	3	3.3	5	5	4.8	4.4	4.6	4.6	4.6	4.6	3.5	3.8	3.8	4	4.1	2.4	2.7	100
105	2.7	2.9	3.1	4.9	4.9	4.6	4.4	4.4	4.6	4.6	4.6	3.5	3.8	3.8	4	4	2.4	2.7	105
110	2.5	2.7	2.9	4.7	4.7	4.6	4.2	4.2	4.5	4.5	4.5	3.4	3.6	3.6	3.8	4	2.4	2.7	110
115	2.3	2.5	2.8	4.6	4.5	4.5	4.2	4.2	4.4	4.4	4.4	3.3	3.5	3.5	3.8	4	2.3	2.5	115
120	2.1	2.4	2.6	4.6	4.4	4.4	4.1	4.1	4.4	4.4	4.4	3.3	3.5	3.5	3.8	3.9	2.2	2.4	120
125	2	2.2	2.4	4.4	4.4	4.2	4	4	4.2	4.2	4.2	3.3	3.5	3.5	3.7	3.8	2.2	2.4	125
130	1.8			4.2	4.2	4.2	3.8	3.8	4	4	4	3.3	3.4	3.2	3.6	3.8	2.2	2.4	130
135				4.1	4.1	4.1	3.8	3.8	3.6	4	4	3.2	3.3	2.7	3.5	3.8	2.1	2.4	135
140				3.8	3.9	3.9	3.6	3.7	3.1	3.8	3.9	2.9	3.3	2.2	3.3	3.7	1.8	2.4	140
145				3.5	3.8	3.8	3.2	3.5	2.6	3.5	3.8	2.4	3.3		2.8	3.5		2.4	145
150				3	3.8	3.8	2.7	3.3	2.1	3.2	3.8	1.9	2.9		2.3	3.3		2.1	150
155				2.5	3.5	3.6	2.2	3	1.7	2.7	3.5		2.5		1.8	2.8		1.6	155
160				2	3.1	3.4	1.7	2.7		2.3	3.1		2			2.2			160
165					2.6	3.2		2.3			2.6								165
170					2	2.7		1.8			2								170
175					1.7	2.2					1.5								175
180						1.8													180

t_187_01401_00_000

Lifting heights Hauteurs de levage

TVK/TVNZK



Lifting capacities Forces de levage



85%

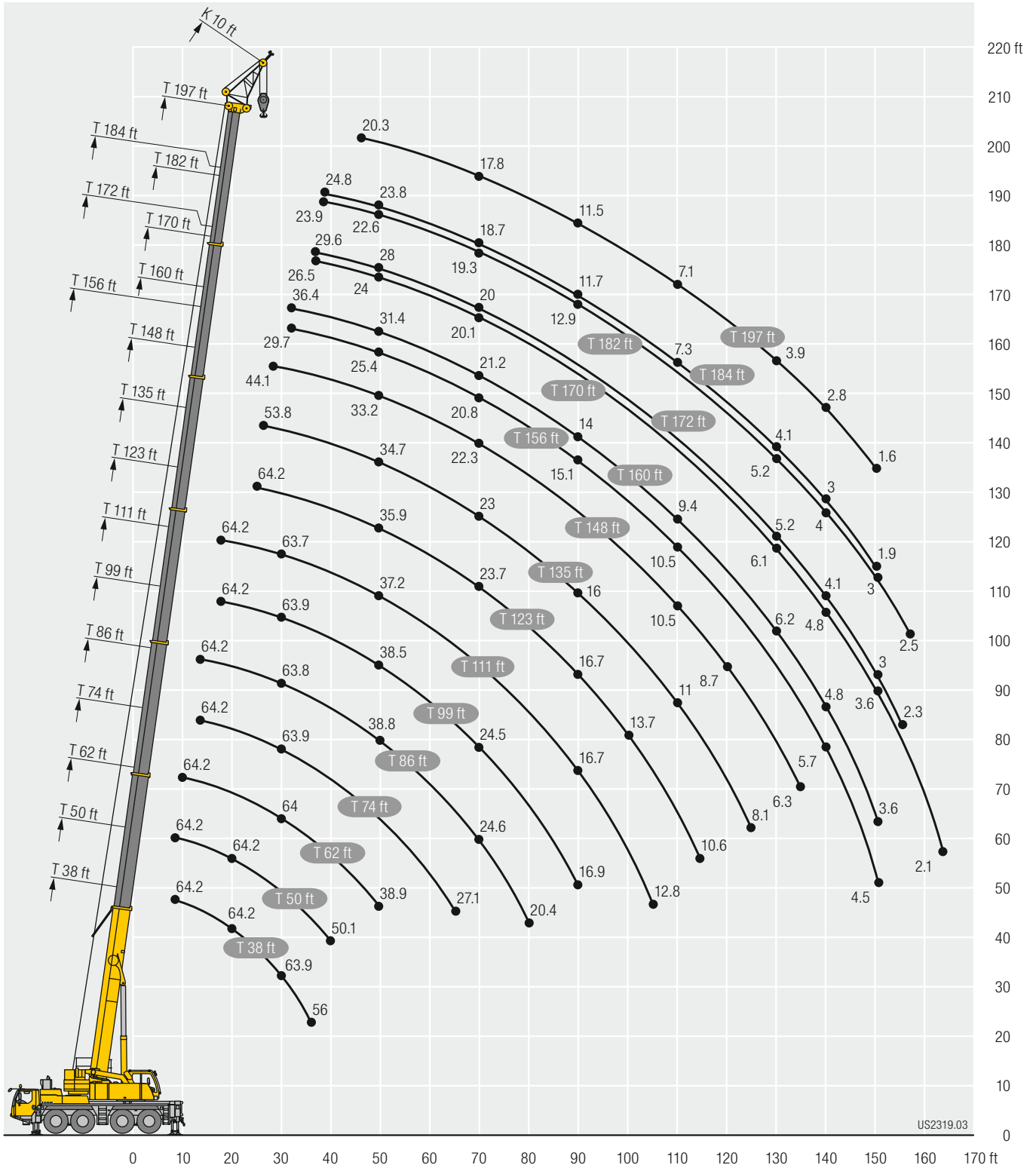
TK

	38 ft	50 ft	62 ft	74 ft	86 ft	99 ft	111 ft	123 ft	135 ft	148 ft	156 ft	160 ft	170 ft	172 ft	182 ft	184 ft	197 ft	
	10 ft																	
9	64.2	64.2																9
10	64.2	64.2	64.2															10
11	64.2	64.2	64.2															11
12	64.2	64.2	64.2															12
13	64.2	64.2	64.2	64.2	64.2													13
14	64.2	64.2	64.2	64.2	64.2													14
15	64.2	64.2	64.2	64.2	64.2													15
16	64.2	64.2	64.2	64.2	64.2													16
17	64.2	64.2	64.2	64.2	64.2													17
18	64.2	64.2	64.2	64.2	64.2	64.2	64.2											18
20	64.2	64.2	64.2	64.2	64.2	64.2	64.2											20
22	64.2	64.2	64.2	64.2	64.2	64.2	64.2	64.2										22
24	64.2	64.2	64.2	64.2	64.2	64.2	64.2	64.1										24
26	64.2	64.2	64.2	64.2	64.2	64.2	64.2	64	53.8									26
28	64.2	64.2	64.2	64.2	64.2	64.2	64.2	63.5	53.3	44.1								28
30	63.9	64	64	63.9	63.8	63.9	63.7	62.4	52.8	43.8								30
32	63	63.2	63.3	62.8	62.3	62.7	62	59.7	52.1	43.5	29.7	36.4						32
34	60.1	60.5	60.8	60.3	60.1	60.3	59	56.5	50.9	43.2	29.3	36.1						34
36	56	56.6	57.1	56.8	57.2	57	55.1	52.9	49.2	42.8	28.9	35.7	26.5	29.6				36
38		53.2	53.5	53.8	54	53.5	52.1	49.5	46.7	42.1	28.5	35.6	26.1	29.4	23.9	24.8		38
40		50.1	50.4	51	51	50.3	49.2	46.4	44.3	41.1	28.1	35.3	25.7	29.3	23.8	24.7		40
45			44.2	44.6	44.2	43.6	42.3	40.6	39.1	36.9	26.7	34	24.9	28.8	23.2	24.3	20.3	45
50			38.9	39.1	38.8	38.5	37.2	35.9	34.7	33.2	25.4	31.4	24	28	22.6	23.8	20.2	50
55				34.4	34.1	34.1	33.1	32.1	31	29.6	24.1	28.4	23.1	26.4	21.9	23.3	19.9	55
60				30.5	30	30.1	29.7	29	27.9	26.5	23	25.4	22.1	24.1	21.2	22.4	19.5	60
65				27.1	26.7	27.3	26.8	26	25.2	24.1	22	23.4	21.1	22.3	20.4	20.9	19	65
70					24.6	24.5	24.4	23.7	23	22.3	20.8	21.2	20.1	20	19.3	18.7	17.8	70
75					22.6	22	22.1	21.5	21	20.5	19.5	19.1	18.7	17.9	17.7	16.6	16.2	75
80					20.4	19.8	20.1	19.5	19.2	18.5	18.1	17.2	17	16.1	15.9	14.8	14.4	80
85						18	18.4	18.2	17.5	16.7	16.6	15.5	15.3	14.4	14.2	13.1	12.9	85
90						16.9	16.7	16.7	16	15.1	15.1	14	13.8	13.1	12.9	11.7	11.5	90
95							15.3	15.1	14.6	13.8	13.7	12.7	12.5	11.7	11.6	10.5	10.3	95
100							14	13.7	13.3	12.6	12.5	11.5	11.3	10.5	10.4	9.3	9.1	100
105							12.8	12.6	12.1	11.5	11.5	10.4	10.1	9.5	9.3	8.2	7.9	105
110								11.6	11	10.5	10.5	9.4	9.1	8.5	8.4	7.3	7.1	110
115								10.6	9.9	9.6	9.6	8.5	8.2	7.6	7.5	6.5	6.3	115
120									8.9	8.7	8.7	7.7	7.5	6.7	6.6	5.6	5.4	120
125									8.1	7.9	7.9	7	6.8	5.9	5.9	4.8	4.6	125
130										7	7	6.2	6.1	5.2	5.2	4.1	3.9	130
135										6.3	6.3	5.5	5.5	4.7	4.6	3.6	3.4	135
140											5.7	4.8	4.8	4.1	4	3	2.8	140
145											5	4.1	4.1	3.5	3.5	2.4	2.1	145
150											4.5	3.6	3.6	3	3	1.9	1.6	150
155													3.1	2.3	2.5			155
160													2.6					160
165													2.1					165

t_187_01413_00_000

Lifting heights Hauteurs de levage

TK



US2319.03