

# Mobile Crane/Grue mobile

## LTM 1060-3.1

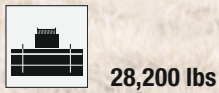
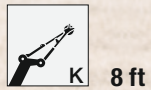
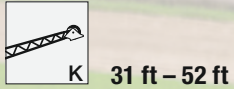


	<b>70 USt</b>
	<b>157 ft</b>
	<b>155 ft</b>
	<b>207 ft</b>



# LIEBHERR

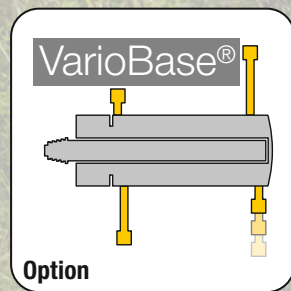
# Mobile Crane/Grue mobile LTM 1060-3.1



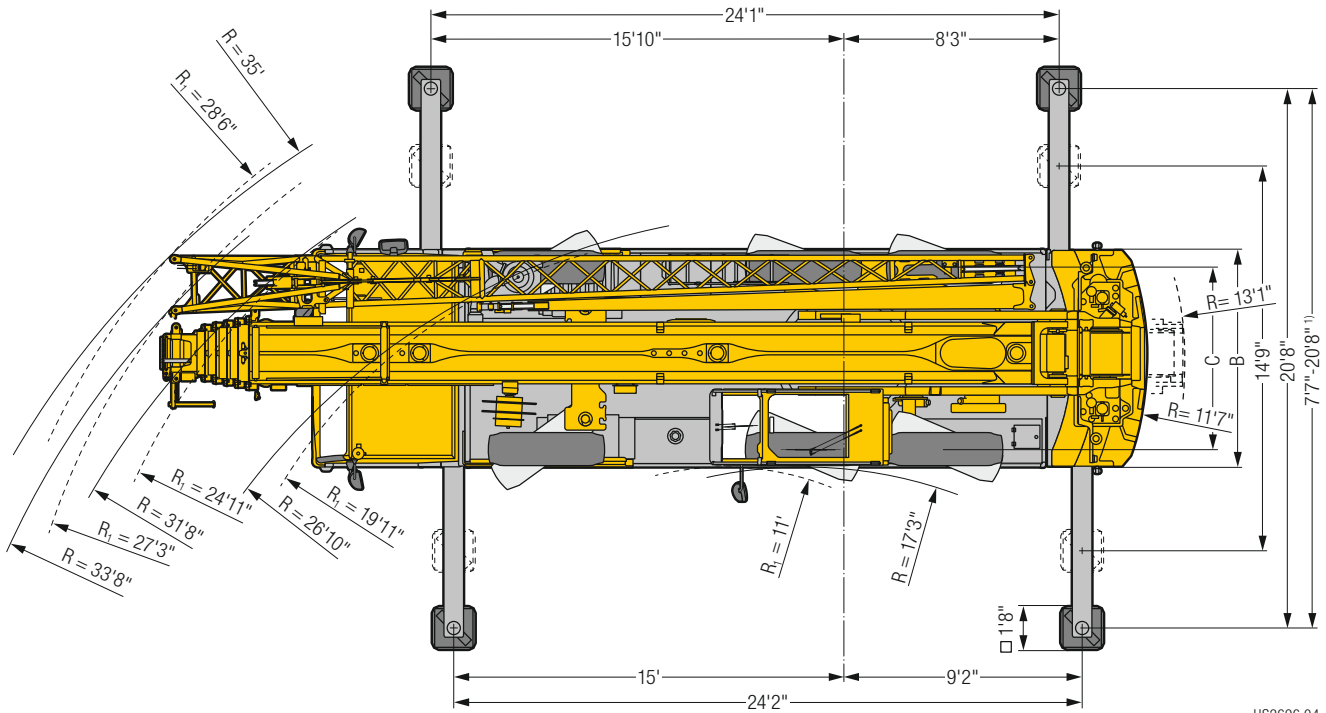
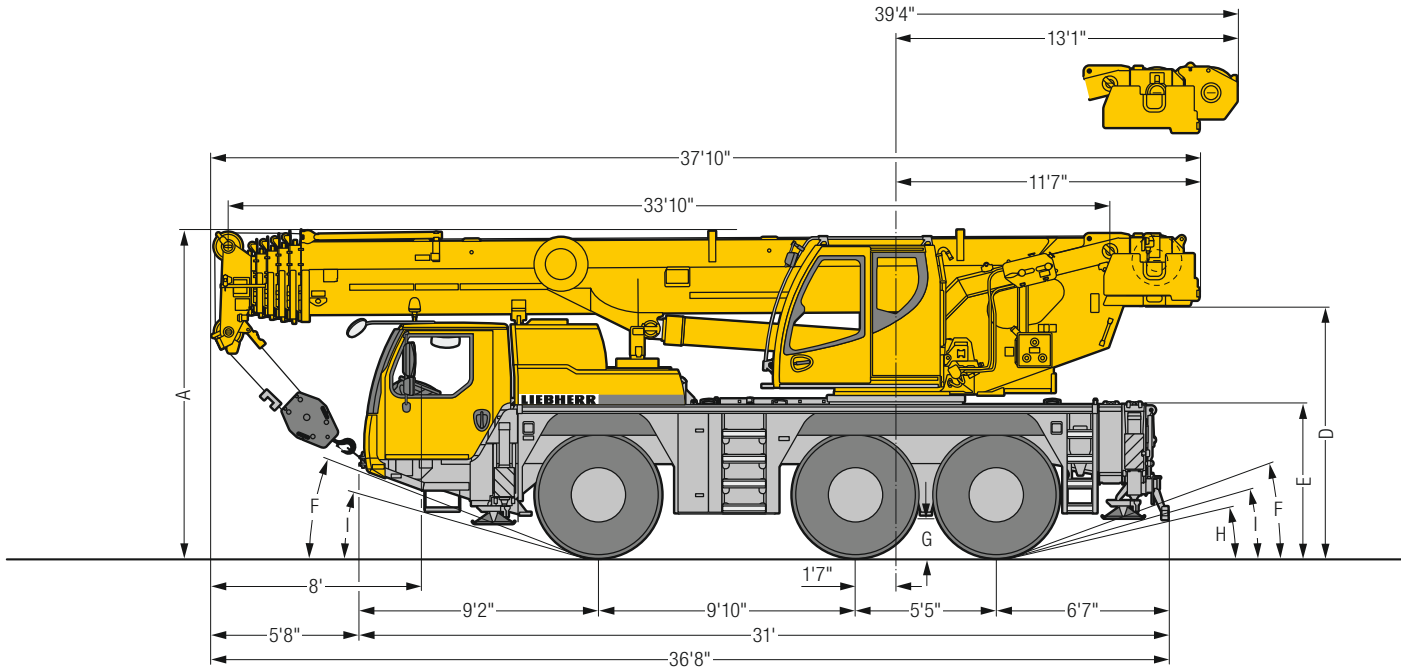
€COmode

€COdrive

only with  
seulement avec ZF-TRAXON



# Dimensions Encombrement



US2696.04

R<sub>i</sub> = All-wheel steering · Direction toutes roues <sup>1)</sup> only with VarioBase® · seulement avec VarioBase®

## Dimensions/Encombrement

	A	A 4 <sup>1)*</sup>	B	C	D	E	F	G	H	I
445/95 R 25 (16.00 R 25)	12'6"	12'2"	8'4"	6'11"	9'7"	5'9"	19°	1'5"	12°	15°
525/80 R 25 (20.5 R 25)	12'6"	12'2"	8'10"	7'1"	9'7"	5'9"	19°	1'5"	12°	15°

\* lowered · abaissé







## Hook block/Moufles à crochet

Load lbs Forces de levage lbs	No. of sheaves Poulies	No. of lines Brins	Weight lbs Poids lbs
132,270	7	15	880
101,630	5	11	880
66,580	3	7	620
29,300	1	3	430
9,920	–	1	210

# Working speeds Vitesses






## Crane carrier/Châssis porteur

	 min.	 max.	 %
445/95 R 25 (16.00 R 25) 525/80 R 25 (20.5 R 25)	0.4	53	61.4 %

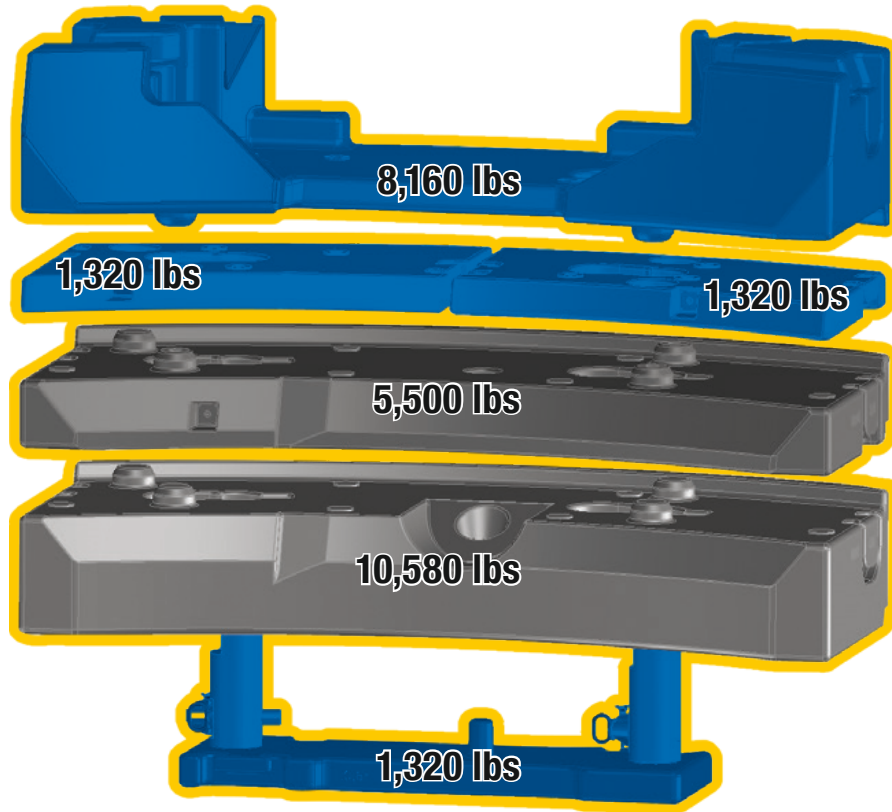
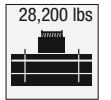
Theoretical gradeability/Aptitude théorique en pente

	
	12 / R2
	4 / R2

## Crane superstructure/Partie tournante

Drive Mécanismes	infinitely variable en continu	Rope diameter / length Diamètre / Longueur du câble	Max. single line pull Effort au brin maxi.
	0 – 427 ft/min single line ft/min au brin simple	0.59" / 722 ft	10,100 lbs
	0 – 427 ft/min single line ft/min au brin simple	0.59" / 722 ft	10,100 lbs
	0 – 1.6 rpm		
	approx. 60 seconds to reach 82° boom angle env. 60 s jusqu'à 82°		
	approx. 330 seconds for boom extension from 34 ft – 157 ft env. 330 s pour passer de 34 ft – 157 ft		

# Counterweight Contrepoids

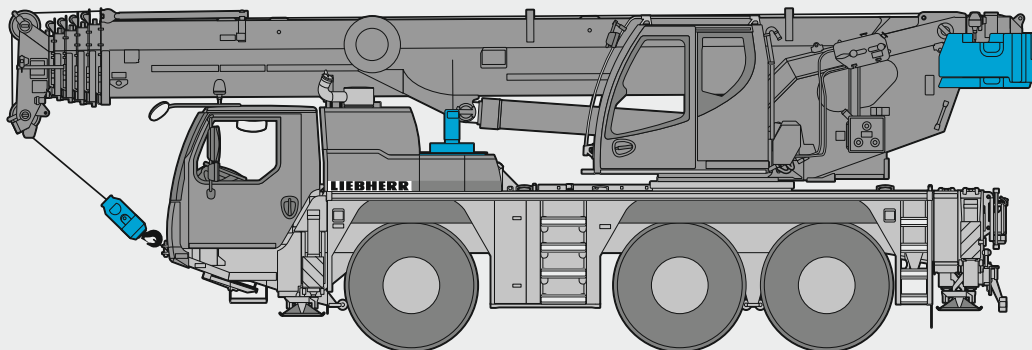


Technically transportable · Transport techniquement simplifié

## Axle/Essieu

Axle Essieu	1	2	3	Total weight lbs Poids total lbs
lbs	26,400	26,400	26,400	79,200 lbs <sup>1)</sup>

<sup>1)</sup> with 12,100 lbs counterweight · avec contrepoids 12,100 lbs



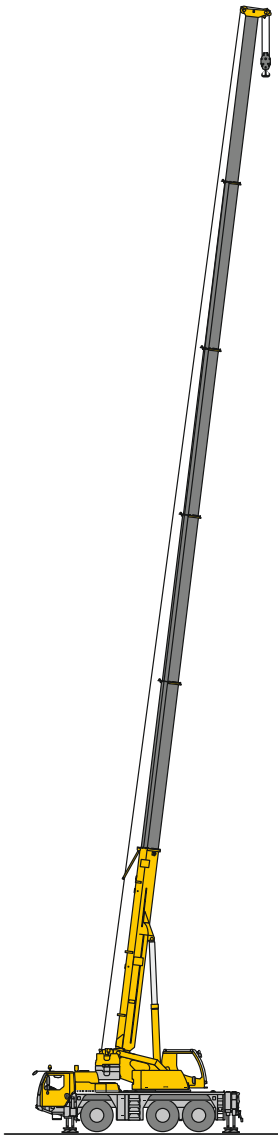
S3146.01

# Boom/jib combinations Configurations de flèche

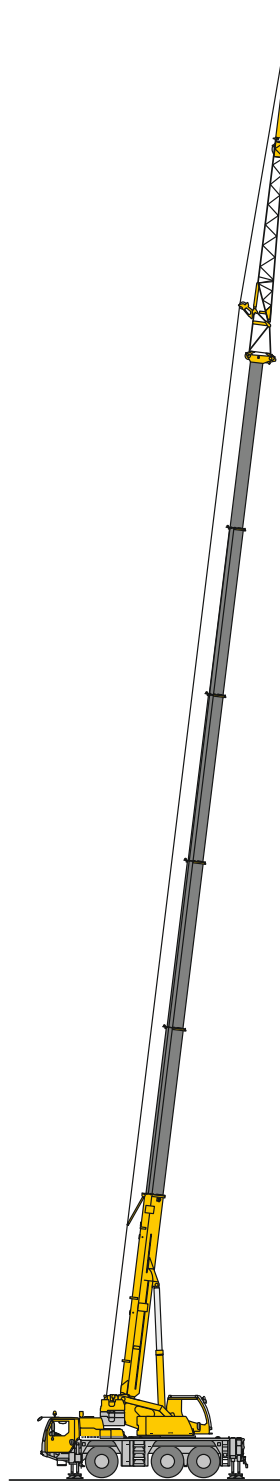
**T** Telescopic boom/Flèche télescopique

**K** Swing away jib/Fléchette pliante

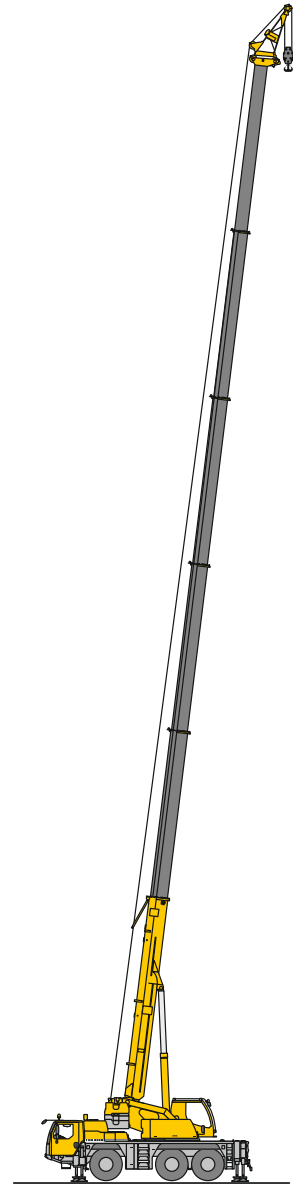
**K** Assembly jib/Fléchette de montage



**T**  
9 – 18



**TK**  
19 – 23

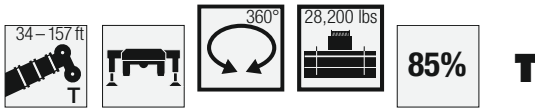


**TK**  
24 – 26

S3145



# Lifting capacities Forces de levage



	* 34 ft	45 ft	57 ft	68 ft	79 ft	91 ft	102 ft	113 ft	125 ft	136 ft	148 ft	157 ft			
7	132.3												7		
8	129.1												8		
9	124.3												9		
10	119.6	93.3	91.7	89.1	75.2	65.2	50.2						10		
11	113.5	93.3	92.7	89.7	75.7	65.8	50.8						11		
12	106.1	93.3	91.8	89.8	76.1	66.5	51.4						12		
13	99	89.8	89.2	84.6	76.6	66.7	52	41					13		
14	92.5	85.3	84.6	79.7	75.4	66.3	52.5	41.4					14		
15	86.5	80.9	80.3	76.2	72.3	65.9	53	41.7	32.3				15		
16	81.6	76.9	76.8	73.7	69.1	65.4	53.1	42	32.6				16		
17	78.3	73.2	74	70.8	67.4	64.1	53	42.1	32.8				17		
18	75	69.4	70.3	69.3	65.3	61.9	52.8	42.2	33	25.6			18		
19	71.8	65.7	66.7	66.8	63.5	60	52.5	42.3	33.1	25.8			19		
20	68.6	62.2	63.2	63.6	61.6	58.2	52.2	42.2	33.1	26	20.6		20		
22	62.1	56.1	57	57.5	57.2	54.6	51.6	41.6	33.4	26.3	20.8	15.9	22		
24	54	50.4	51.5	51.9	51.7	51.1	48.3	40.6	33.3	26.5	21	16	24		
26			46.7	47.1	47.3	46.7	43.9	39.3	32.8	26.7	21.2	16.2	13.5	26	
28			42.2	42.8	43.7	42.5	40	37.6	32	26.6	21.3	16.4	13.6	28	
30			38.3	39.6	39.9	38.9	36.7	34.5	31	26.2	21.4	16.4	13.7	30	
32			34.8	36.2	36.4	35.8	33.8	32	29.9	25.7	21.1	16.4	13.8	32	
34			32.1	33	33.2	32.9	31.2	30.1	28.5	25	20.8	16.3	13.8	34	
36			29.4	30.2	30.4	30.1	29.1	27.9	26.8	24.3	20.4	16.1	13.8	36	
38				27.8	28	27.7	27	26.2	25.5	23.5	19.9	15.8	13.8	38	
40				25.7	25.9	25.6	25.2	25.2	24.1	22.7	19.3	15.6	13.6	40	
45				21.5	21.6	21.3	22	21.4	21	19.8	18.2	15	13.2	45	
50					18.4	19.1	18.7	18.3	18.1	17.4	17	14.3	12.8	50	
55					15.9	16.5	16.2	15.8	16	15.8	14.8	13.6	12.3	55	
60						14.5	14.2	14.4	14	13.8	13.3	12.8	11.8	60	
65						12.8	12.6	12.7	12.3	12.3	12.1	11.3	11	65	
70						11.4	11.6	11.2	11.3	10.9	10.7	9.9	9.7	70	
75							10.4	10	10.1	9.7	9.3	8.7	8.6	75	
80								9.3	9	8.6	8.3	7.7	7.6	80	
85									8.2	8.1	7.7	7.4	6.8	85	
90									7.4	7.3	6.9	6.6	6.1	90	
95										6.6	6.2	5.9	5.4	95	
100										6	5.6	5.3	4.8	100	
105										5.4	5	4.7	4.2	105	
110											4.5	4.2	3.7	110	
115											4	3.7	3.2	115	
120												3.3	2.8	120	
125												2.9	2.4	125	
130													2.1	2	130

\* 0° = over rear · sur arrière

t\_250\_00101\_00\_000 / t\_250\_00501\_00\_000

# Lifting capacities Forces de levage

28,200 lbs  
12,100 lbs  
10,800 lbs  
**85%** **T**

Crane ↕	33.8 ft					45.3 ft					Crane ↕
	28,200 lbs	12,100 lbs		10,800 lbs		28,200 lbs	12,100 lbs		10,800 lbs		
	0°	360°	0°	360°	0°	0°	360°	0°	360°	0°	
10	33.2		20.9		19.8	32.3		21.3		20.4	10
11	29.8		18.4		17.4	29.7		19		18.1	11
12	26.8		16.2		15.4	27.1		17		16.2	12
13	24.3		14.6		13.8	24.7		15.3		14.6	13
14	22.2		13.2		12.5	22.7		14		13.3	14
15	20.3		11.9	10.2	11.3	21		12.8		12.2	15
16	18.5	9.8	10.8	9.1	10	19.3		11.8		11.2	16
17	16.9	8.8	9.6	8.3	8.9	17.7		10.8		10.1	17
18	15.6	8.1	8.6	7.6	8.1	16.4		9.9	7.7	9.1	18
19	14.5	7.4	7.9	6.9	7.4	15.3	7	9	7.5	8.3	19
20	13.5	6.8	7.2	6.3	6.7	14.3	7	8.2	7	7.7	20
22	11.8	5.8	6	5.4	5.6	12.6	6.4	7	6	6.6	22
24	10.2	5	5.1	4.6	4.7	11.2	5.5	6	5.2	5.6	24
26						9.7	4.8	5.2	4.4	4.8	26
28						8.5	4.1	4.5	3.6	4	28
30						7.7	3.4	3.7	2.9	3.3	30
32						6.9	2.8	3	2.4	2.6	32
34						6.3	2.3	2.5	1.9	2.1	34
36						5.7	2.1	2.1			36

0° = over rear · en arrière

t\_250\_01201\_00\_000 / 01411\_00\_000 / 01211\_00\_000 / 01412\_00\_000 / 01212\_00\_000

28,200 lbs  
12,100 lbs  
10,800 lbs  
**85%** **T**

Crane ↕	33.8 ft					45.3 ft					Crane ↕
	28,200 lbs	12,100 lbs		10,800 lbs		28,200 lbs	12,100 lbs		10,800 lbs		
	0°	360°	0°	360°	0°	0°	360°	0°	360°	0°	
10	33.1		20.9		19.7	32.3		21.2		20.3	10
11	29.7		18.3		17.3	29.6		18.9		18.1	11
12	26.7		16.2		15.4	27		16.9		16.1	12
13	24.2		14.5		13.8	24.6		15.2		14.5	13
14	22.1		13.1		12.4	22.6		13.9		13.3	14
15	20.2		11.9	10.2	11.2	20.9		12.8		12.2	15
16	18.4	9.8	10.8	9.1	10	19.2		11.7		11.1	16
17	16.9	8.8	9.6	8.3	8.9	17.6		10.8		10.1	17
18	15.5	8.1	8.6	7.6	8.1	16.3		9.8	7.7	9.1	18
19	14.4	7.4	7.8	6.9	7.3	15.2	7	8.9	7.5	8.3	19
20	13.5	6.8	7.2	6.3	6.7	14.2	7	8.1	7	7.7	20
22	11.8	5.8	6	5.4	5.6	12.6	6.4	7	6	6.5	22
24	10.1	5	5.1	4.6	4.7	11.1	5.6	6	5.2	5.6	24
26						9.6	4.8	5.2	4.4	4.8	26
28						8.5	4.1	4.4	3.6	4	28
30						7.7	3.4	3.7	2.9	3.2	30
32						6.9	2.8	3	2.4	2.6	32
34						6.2	2.3	2.5	1.9	2.1	34
36						5.7	2.1	2.1			36

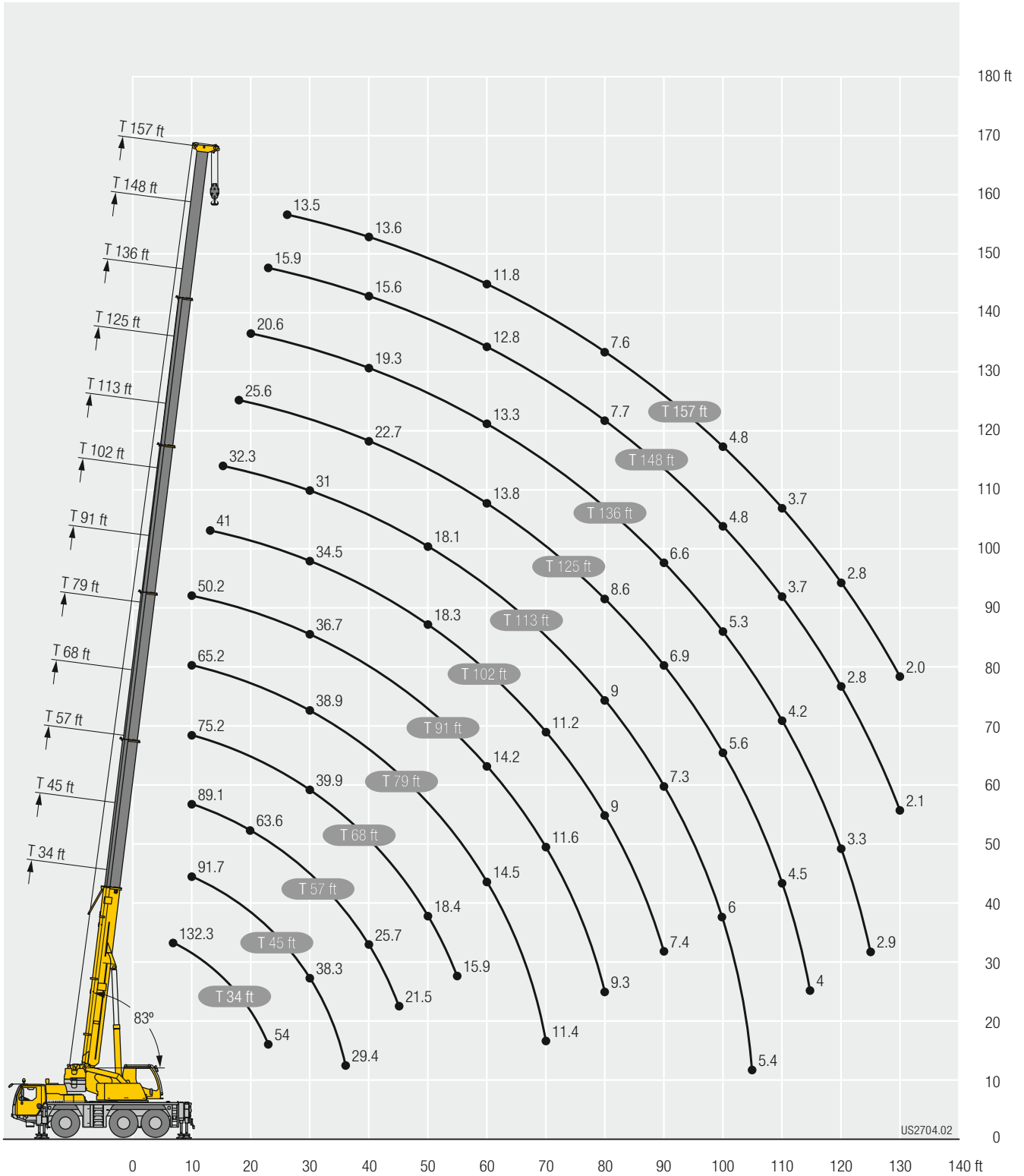
0° = over rear · en arrière

t\_250\_01301\_00\_000 / 01511\_00\_000 / 01311\_00\_000 / 01512\_00\_000 / 01312\_00\_000

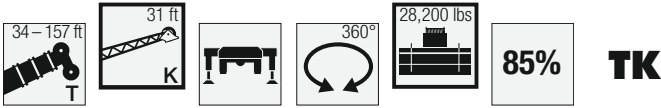


# Lifting heights Hauteurs de levage

**T**



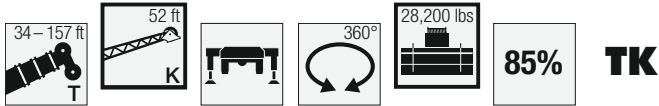
# Lifting capacities Forces de levage



Crane Model	34 ft 31 ft			113 ft 31 ft			125 ft 31 ft			136 ft 31 ft			148 ft 31 ft			157 ft 31 ft			Crane Model
	0°	20°	40°	0°	20°	40°	0°	20°	40°	0°	20°	40°	0°	20°	40°	0°	20°	40°	
10	17.5																		10
11	17.1																		11
12	16.7	14.8																	12
13	16.4	14.8																	13
14	16	14.8																	14
15	15.6	14.8																	15
16	15.2	14.8																	16
17	14.8	14.7																	17
18	14.5	14.6																	18
19	14.1	14.4	11.5	16.7															19
20	13.7	14.2	11.5	16.7															20
22	13	13.7	11.5	16.8			14												22
24	12.3	13.2	11.5	16.7			14			11.5									24
26	11.6	12.7	11.4	16.5			14			11.6									26
28	11	12.2	11.3	16.4			14			11.6									28
30	10.3	11.6	11.1	16.2	14.3		13.9			11.7									30
32	9.6	11.1	10.9	16	14.1		13.8	12.8		11.7									32
34	8.9	10.4	10.6	15.9	13.9		13.8	12.6		11.7									34
36	8.4	9.8	10.1	15.7	13.7	11.5	13.7	12.5		11.7	11.1		8.6						36
38	7.8	9.2	9.6	15.5	13.5	11.5	13.6	12.4		11.6	11		8.6	8.8		7.5			38
40	7.2	8.6	9.1	15.3	13.3	11.5	13.5	12.2	11	11.6	10.9		8.6	8.7		7.5			40
45	6.2	7.5	7.8	14.9	12.9	11.3	13.2	11.9	10.8	11.4	10.7	9.9	8.6	8.6		7.4	7.5		45
50	5.1	6.2	6.1	14.4	12.4	11	12.9	11.5	10.5	11.2	10.5	9.7	8.5	8.4	8.1	7.4	7.4	7.4	50
55	4.2	4.5		13.6	12	10.7	12.6	11.2	10.2	10.9	10.3	9.4	8.3	8.2	7.8	7.4	7.3	7.2	55
60				12.6	11.6	10.4	12	10.9	10	10.5	9.8	9.3	8.1	7.9	7.6	7.2	7.2	7.1	60
65				11.6	11.1	10.1	10.6	10.6	9.4	10	9.3	9	7.9	7.7	7.4	7	7	6.9	65
70				10.3	10.5	9.6	9.7	10.1	9.2	9.3	9	8.7	7.7	7.5	7.2	6.9	6.8	6.7	70
75				9.1	9.7	9.2	9.1	9	9	8.4	8.6	8.4	7.4	7.3	7	6.7	6.6	6.6	75
80				8.4	8.6	8.8	8.1	8.4	8.5	7.6	8	8.1	7.1	7	6.9	6.5	6.4	6.4	80
85				7.6	7.9	7.9	7.5	7.7	7.9	7.2	7.2	7.6	6.7	6.8	6.7	6.2	6.2	6.3	85
90				7.1	7.2	7.4	6.8	7	7.2	6.6	6.7	6.8	6	6.5	6.5	5.8	6	6.1	90
95				6.4	6.6	6.6	6.3	6.5	6.6	5.9	6.3	6.4	5.4	5.8	6.2	5.2	5.6	5.8	95
100				6	6.1	6.2	5.6	5.9	6.1	5.2	5.7	6	4.8	5.2	5.5	4.6	5	5.4	100
105				5.4	5.7	5.8	5	5.3	5.6	4.6	5.1	5.3	4.2	4.6	4.9	4.1	4.5	4.8	105
110				4.9	5.1		4.5	4.7	5	4.1	4.5	4.7	3.7	4.1	4.3	3.6	4	4.2	110
115				4.4	4.6		4	4.2	4.4	3.6	4	4.2	3.2	3.6	3.8	3.1	3.5	3.8	115
120				4	4.2		3.6	3.8		3.2	3.5	3.7	2.8	3.1	3.3	2.7	3	3.3	120
125				3.6	3.7		3.2	3.4		2.8	3.1		2.4	2.7	2.8	2.3	2.6	2.8	125
130				3.3			2.8	3		2.5	2.7		2	2.3	2.4	2	2.2	2.4	130
135				3			2.5	2.6		2.1	2.4		1.7	1.9		1.6	1.9	2	135
140							2.2			1.8	2			1.6			1.6	1.7	140
145							1.9			1.6	1.7								145

t\_250\_11001\_00\_000 / 12001\_00\_000 / 13001\_00\_000

# Lifting capacities Forces de levage

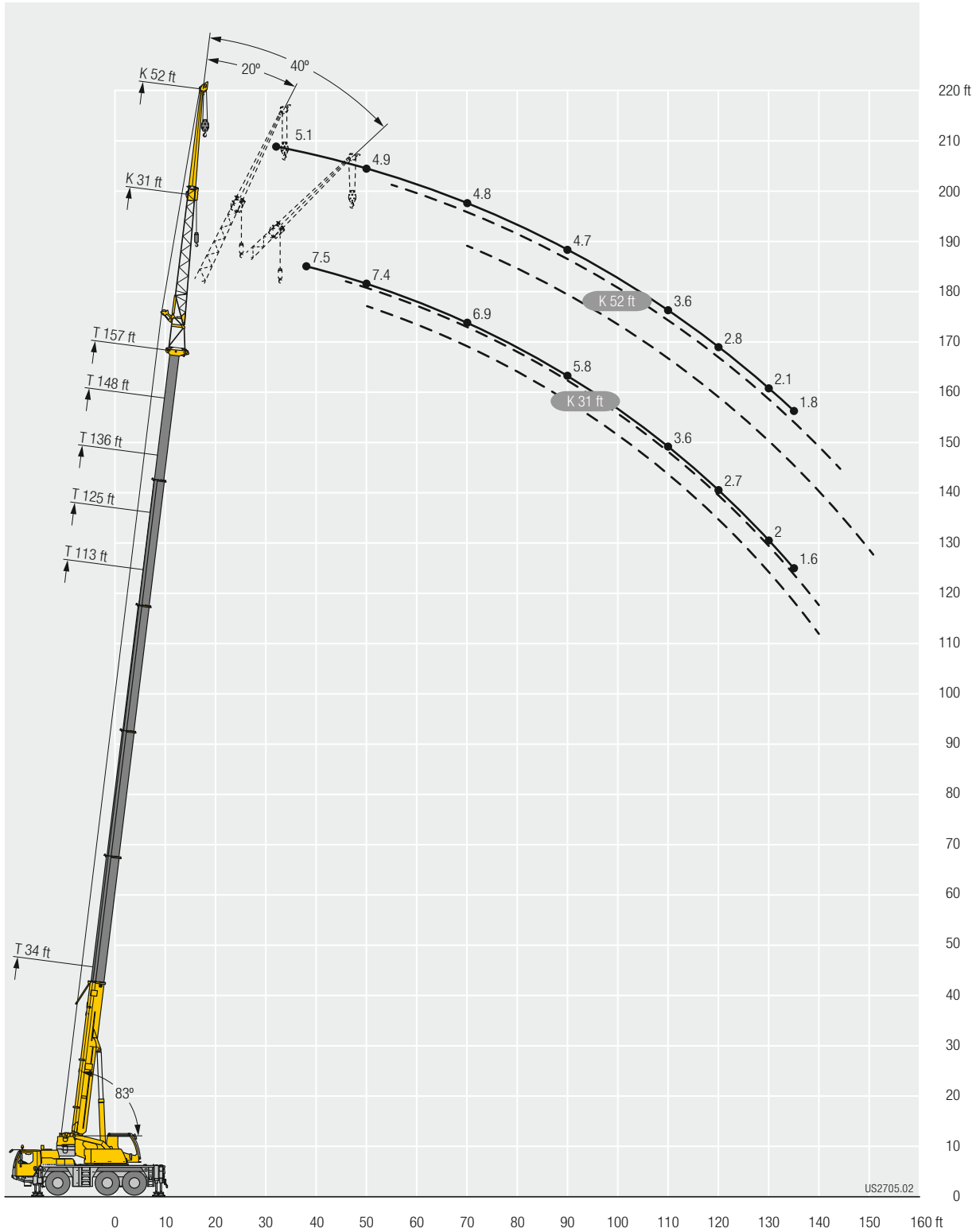


Crane Model	34 ft 52 ft			113 ft 52 ft			125 ft 52 ft			136 ft 52 ft			148 ft 52 ft			157 ft 52 ft			Crane Model
	0°	20°	40°	0°	20°	40°	0°	20°	40°	0°	20°	40°	0°	20°	40°	0°	20°	40°	
10	9																		10
11	9																		11
12	9																		12
13	8.9																		13
14	8.9																		14
15	8.8																		15
16	8.7																		16
17	8.6																		17
18	8.4																		18
19	8.3																		19
20	8.2																		20
22	8	8.7		8.6															22
24	7.7	8.4		8.6			7.7												24
26	7.5	8.2		8.5			7.6												26
28	7.2	8		8.5			7.6		6.7										28
30	7	7.7		8.4			7.5		6.7			5.8							30
32	6.9	7.5		8.3			7.5		6.7			5.8			5.1				32
34	6.7	7.3		8.2			7.4		6.6			5.7			5.1				34
36	6.5	7.1	5.3	8.2			7.4		6.6			5.7			5.1				36
38	6.3	6.9	5.3	8.1			7.3		6.6			5.7			5.1				38
40	6.1	6.7	5.3	8	6.9		7.3		6.5			5.7			5.1				40
45	5.7	6.3	5.1	7.8	6.7		7.2	6.3	6.5			5.7			5				45
50	5.3	6	5.1	7.6	6.5		7	6.2	6.4	5.8		5.6	5.3		4.9				50
55	4.8	5.7	5	7.4	6.3	5.3	6.9	6	6.3	5.7		5.6	5.2		4.9	4.8			55
60	4.2	5.3	4.8	7.2	6.1	5.3	6.7	5.9	5.1	6.2	5.6	5	5.5	5.1		4.8	4.8		60
65	3.7	4.7	4.7	7	5.9	5.2	6.6	5.7	5.1	6.1	5.5	4.9	5.4	5.1	4.7	4.8	4.8		65
70	3.3	4	4.4	6.8	5.8	5.1	6.4	5.6	5	5.9	5.4	4.9	5.4	5	4.7	4.8	4.7	4.5	70
75	2.9	3.3		6.6	5.6	5	6.2	5.5	4.9	5.8	5.2	4.8	5.3	4.9	4.6	4.7	4.7	4.5	75
80				6.3	5.5	4.9	6.1	5.4	4.9	5.7	5.2	4.7	5.2	4.9	4.6	4.7	4.6	4.5	80
85				6.1	5.4	4.9	5.9	5.2	4.8	5.6	5.1	4.7	5.2	4.8	4.6	4.7	4.6	4.4	85
90				5.9	5.3	4.8	5.8	5.1	4.7	5.5	5	4.7	5.1	4.8	4.5	4.7	4.5	4.4	90
95				5.7	5.2	4.8	5.5	5.1	4.7	5.3	4.9	4.6	5	4.7	4.5	4.6	4.5	4.4	95
100				5.3	5.1	4.7	5.3	5	4.7	5.1	4.8	4.6	4.8	4.6	4.5	4.4	4.4	4.3	100
105				5	4.9	4.7	5	4.9	4.7	4.8	4.8	4.6	4.3	4.6	4.4	4.1	4.3	4.2	105
110				4.7	4.8	4.7	4.7	4.7	4.7	4.4	4.6	4.6	3.8	4.4	4.3	3.6	4.2	4.2	110
115				4.5	4.6	4.7	4.3	4.4	4.7	3.9	4.4	4.4	3.4	4	4.2	3.2	3.8	4.1	115
120				4.3	4.2	4.4	3.9	4.2	4.2	3.5	4	4.2	3	3.6	4	2.8	3.4	3.8	120
125				3.9	4.1	4.1	3.5	3.9	4.1	3.1	3.6	3.9	2.6	3.2	3.6	2.4	3	3.4	125
130				3.5	3.8		3.1	3.5	3.7	2.7	3.2	3.5	2.3	2.8	3.1	2.1	2.6	3	130
135				3.2	3.4		2.7	3.1	3.3	2.4	2.8	3	1.9	2.4	2.7	1.8	2.3	2.6	135
140				2.9	3.1		2.4	2.7		2.1	2.4	2.7	1.6	2	2.3		2	2.3	140
145				2.6	2.8		2.2	2.4		1.8	2.1	2.3		1.7	2		1.7	1.9	145
150				2.3	2.5		1.9	2.1			1.8				1.6			1.6	150
155				2.1			1.7	1.8			1.6								155
160								1.6											160

t\_250\_21001\_00\_000 / 22001\_00\_000 / 23001\_00\_000

# Lifting heights Hauteurs de levage

**TK**



# Lifting capacities Forces de levage



85%

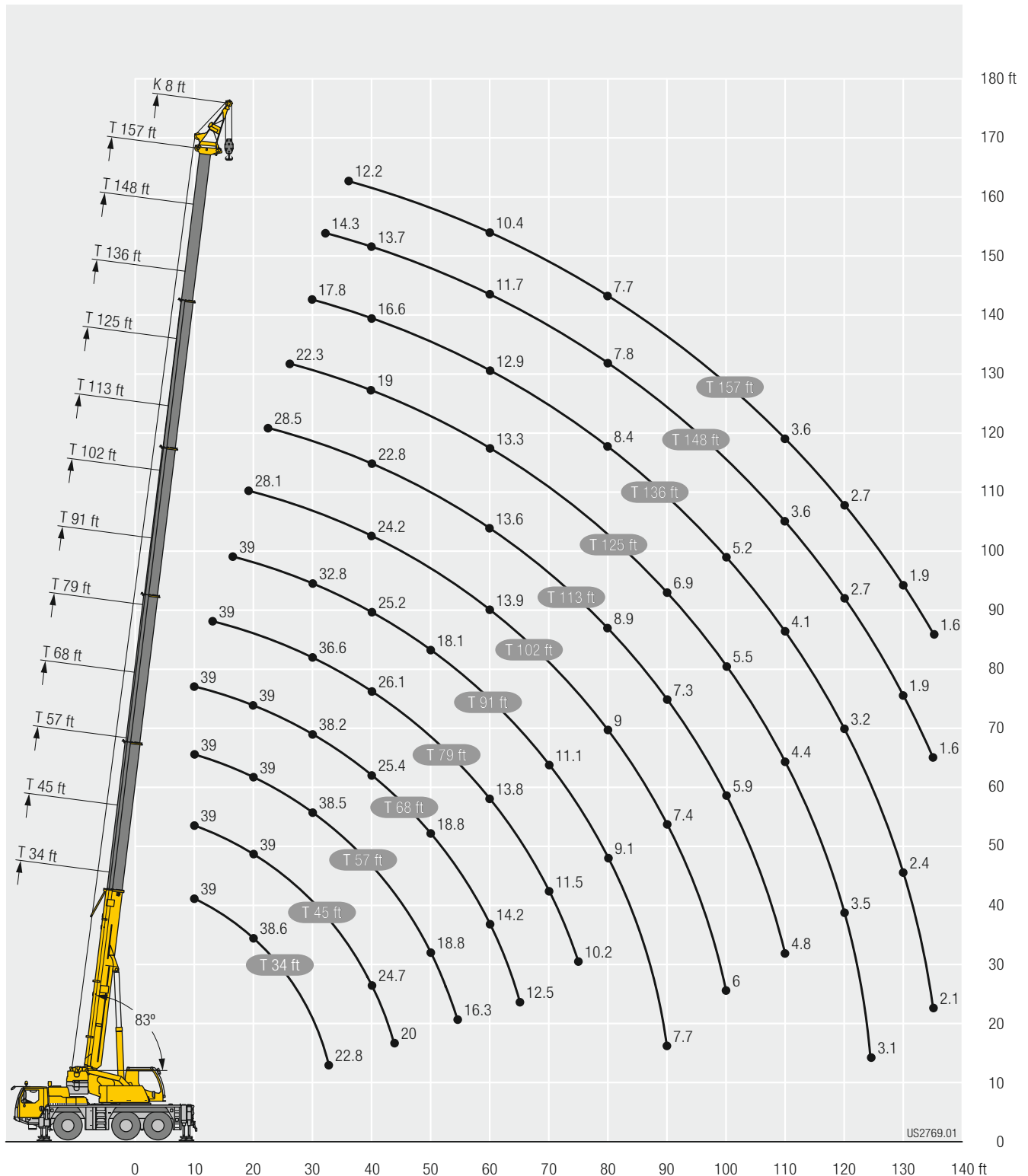
TK

	34 ft	45 ft	57 ft	68 ft	79 ft	91 ft	102 ft	113 ft	125 ft	136 ft	148 ft	157 ft	
	8 ft												
10	39	39	39	39									10
11	39	39	39	39									11
12	39	39	39	39									12
13	39	39	39	39	39								13
14	39	39	39	39	39								14
15	39	39	39	39	39								15
16	39	39	39	39	39	39							16
17	39	39	39	39	39	39							17
18	39	39	39	39	39	38.9							18
19	39	39	39	39	39	38.7	28.1						19
20	38.6	39	39	39	39	38.4	36						20
22	35.9	39	39	39	39	37.5	35.8						22
24	32.9	39	39	39	39	36.3	35.2	28.5					24
26	29.8	39	39	39	39	35	34.3	28.4	22.3				26
28	27.2	37.5	39	39	39	33.8	33.4	28.1	21.9				28
30	24.8	35.2	38.5	38.2	36.6	32.8	32.5	27.5	21.6	17.8			30
32	22.8	32.9	36.2	35.9	33.9	31.7	31.3	26.8	21.1	17.6	14.3		32
34		30.5	33.1	32.8	31.3	30.4	29.3	26	20.7	17.4	14.2		34
36		28.3	30.3	30	29	28.9	27.2	25.1	20.1	17.2	14	12.2	36
38		26.5	27.8	27.5	27.6	27	25.5	24.1	19.5	16.9	13.9	12.1	38
40		24.7	25.7	25.4	26.1	25.2	24.2	22.8	19	16.6	13.7	12	40
45		20	21.4	22.1	21.8	21.3	20.7	19.5	17.9	15.7	13.2	11.7	45
50			18.8	18.8	18.5	18.1	17.7	17.1	16.8	14.9	12.7	11.3	50
55			16.3	16.3	15.9	15.5	15.6	15.6	14.7	14.1	12.2	10.9	55
60				14.2	13.8	14.1	13.9	13.6	13.3	12.9	11.7	10.4	60
65				12.5	12.5	12.6	12.1	12.3	12.1	11.4	11	9.7	65
70					11.5	11.1	11.2	10.9	10.8	10.6	9.9	9.2	70
75					10.2	9.9	10.1	9.7	9.6	9.5	8.8	8.6	75
80						9.1	9	8.9	8.7	8.4	7.8	7.7	80
85						8.4	8.1	8.1	7.8	7.5	6.9	6.8	85
90						7.7	7.4	7.3	6.9	6.6	6.1	6.1	90
95							6.7	6.5	6.2	5.9	5.4	5.4	95
100							6	5.9	5.5	5.2	4.7	4.7	100
105								5.3	4.9	4.6	4.1	4.1	105
110								4.8	4.4	4.1	3.6	3.6	110
115									3.9	3.6	3.1	3.1	115
120									3.5	3.2	2.7	2.7	120
125									3.1	2.8	2.3	2.3	125
130										2.4	1.9	1.9	130
135										2.1	1.6	1.6	135

t\_250\_30001\_00\_000

# Lifting heights Hauteurs de levage

**TK**



US2769.01